

# 3 colson SERIES

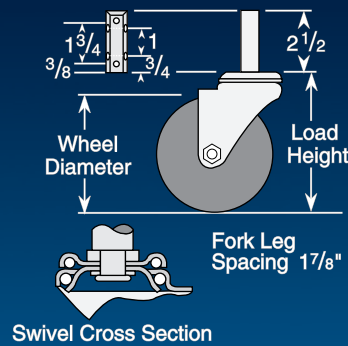
Capacity up to 400 lbs each

[www.colsoncaster.com](http://www.colsoncaster.com)

## Standard Features

- Zinc plated finish is attractive and durable
- Full double ball hardened raceways for better performance and greater durability
- 3/8" hollow axle with lock nut
- Permanent rivet king pin construction
- Reinforcing washer on upper & lower raceway
- Grease holes: wheel bearing
- "Colson 45" multi-temp grease lubricates in extreme hot and cold temperatures

## Round Square Stem



### Standard Mounting: MTG31

#### Square Stem

Four 17/64" diameter mounting holes are drilled in square stem, two per side. 2 1/2" long x 7/8" square.

## Performance Options

### Mounting Options

**Round Stem** – Select size and specify by code number when ordering.

**MTG7:** 2 1/2" long x 3/4" diameter

**MTG9:** 2 1/2" long x 7/8" diameter

**MTG11:** 2 1/2" long x 1" diameter

### Fork/Wheel Options

**NSF Listed** (See page 3)

All models except thread guards and cast iron wheels (Specify **FSI**).

**Dust Cap** (See page 16) – Specify **DC1**.

**Thread Guards** (See page 16) – Available on many models. (Specify **TG1** for metal **TG2** for plastic).

<b>Lube Options:</b>	Fork	Wheel
No Grease	<b>GRF1</b>	<b>GRW1</b>
Double Grease	<b>GRF2</b>	<b>GRW2</b>
300° Continuous	<b>GRF3</b>	<b>GRW3</b>
500° Continuous	<b>Consult Factory</b>	



### Caster Brake

**Tread Lock** (See page 13)  
Available on all swivel models. Field installable (Specify **BRK1**).

### Axle/Nut Options:

**AX1** Zerk Axle      **NT1** Thick lock nut  
**AX2** Solid Axle    **NT2** Thin lock nut

## Wheel Selection



PERFORMA  
FLAT TREAD



PERFORMA CONDUCTIVE/  
DISSIPATIVE



POLYOLEFIN



POLYURETHANE  
HI-TECH



PHENOLIC



CAST IRON



MAXIM

### 3 SERIES · Round & Square Stem · Capacity up to 400 lbs

Wheel Dia.	Tread Width	Capacity Each (Pounds)	Wheel Descriptions	Wheel Bearing	Specify Mounting Code From Previous Page	Load Height	Swivel Radius	Weight (Pounds)
3"	1 1/2"	250	Performa Rubber (Flat/Grey)	Delrin	3.00314.441	4 <sup>5</sup> / <sub>16</sub>	3 1/8	2 1/2
			Performa Rubber (Flat/Grey)	Roller	3.00314.449	4 <sup>5</sup> / <sub>16</sub>	3 1/8	2 1/2
		300	Polyolefin	Delrin	3.00314.801	4 <sup>5</sup> / <sub>16</sub>	3 1/8	2 1/2
			Polyolefin	Roller	3.00314.809	4 <sup>5</sup> / <sub>16</sub>	3 1/8	2 1/2
			Polyurethane HI-TECH	Delrin	3.00314.901	4 <sup>5</sup> / <sub>16</sub>	3 1/8	2 1/2
			Polyurethane HI-TECH	Roller	3.00314.909	4 <sup>5</sup> / <sub>16</sub>	3 1/8	2 1/2
		400	Phenolic	Delrin	3.00314.301	4 <sup>5</sup> / <sub>16</sub>	3 1/8	2 1/4
			Phenolic	Ball	3.00314.305	4 <sup>5</sup> / <sub>16</sub>	3 1/8	2 1/4
			Phenolic	Roller	3.00314.309	4 <sup>5</sup> / <sub>16</sub>	3 1/8	2 1/2
			Cast Iron	Delrin	3.00314.101	4 <sup>5</sup> / <sub>16</sub>	3 1/8	3 3/4
			Cast Iron	Roller	3.00314.109	4 <sup>5</sup> / <sub>16</sub>	3 1/8	3 3/4
4"	1 1/2"	255	Performa Rubber (Conductive Flat)	Roller	3.00414.449 COND	5 <sup>3</sup> / <sub>16</sub>	3 <sup>5</sup> / <sub>8</sub>	2 <sup>2</sup> / <sub>3</sub>
		325	Performa Rubber (Flat/Grey)	Delrin	3.00414.441	5 <sup>3</sup> / <sub>16</sub>	3 <sup>5</sup> / <sub>8</sub>	2 <sup>2</sup> / <sub>3</sub>
			Performa Rubber (Flat/Grey)	Roller	3.00414.449	5 <sup>3</sup> / <sub>16</sub>	3 <sup>5</sup> / <sub>8</sub>	2 <sup>2</sup> / <sub>3</sub>
		375	Polyolefin	Delrin	3.00414.801	5 <sup>3</sup> / <sub>16</sub>	3 <sup>5</sup> / <sub>8</sub>	2 1/4
			Polyolefin	Roller	3.00414.809	5 <sup>3</sup> / <sub>16</sub>	3 <sup>5</sup> / <sub>8</sub>	2 1/4
		400	Maxim	Delrin	3.00414.501	5 <sup>3</sup> / <sub>16</sub>	3 <sup>5</sup> / <sub>8</sub>	2 <sup>3</sup> / <sub>4</sub>
			Maxim	Bronze	3.00414.504	5 <sup>3</sup> / <sub>16</sub>	3 <sup>5</sup> / <sub>8</sub>	2 <sup>3</sup> / <sub>4</sub>
			Maxim	Roller	3.00414.509	5 <sup>3</sup> / <sub>16</sub>	3 <sup>5</sup> / <sub>8</sub>	2 <sup>3</sup> / <sub>4</sub>
			Polyurethane HI-TECH	Delrin	3.00414.901	5 <sup>3</sup> / <sub>16</sub>	3 <sup>5</sup> / <sub>8</sub>	2 <sup>3</sup> / <sub>4</sub>
			Polyurethane HI-TECH	Roller	3.00414.909	5 <sup>3</sup> / <sub>16</sub>	3 <sup>5</sup> / <sub>8</sub>	2 <sup>3</sup> / <sub>4</sub>
			Phenolic	Delrin	3.00414.301	5 <sup>3</sup> / <sub>16</sub>	3 <sup>5</sup> / <sub>8</sub>	2 1/2
			Phenolic	Ball	3.00414.305	5 <sup>3</sup> / <sub>16</sub>	3 <sup>5</sup> / <sub>8</sub>	2 1/2
			Phenolic	Roller	3.00414.309	5 <sup>3</sup> / <sub>16</sub>	3 <sup>5</sup> / <sub>8</sub>	2 <sup>3</sup> / <sub>4</sub>
			Cast Iron	Delrin	3.00414.101	5 <sup>3</sup> / <sub>16</sub>	3 <sup>5</sup> / <sub>8</sub>	4
		Cast Iron	Roller	3.00414.109	5 <sup>3</sup> / <sub>16</sub>	3 <sup>5</sup> / <sub>8</sub>	4	
5"	1 1/2"	280	Performa Rubber (Conductive Flat)	Roller	3.00514.449 COND	6 <sup>3</sup> / <sub>16</sub>	3 <sup>7</sup> / <sub>8</sub>	3
		350	Performa Rubber (Flat/Grey)	Delrin	3.00514.441	6 <sup>3</sup> / <sub>16</sub>	3 <sup>7</sup> / <sub>8</sub>	3
			Performa Rubber (Flat/Grey)	Roller	3.00514.449	6 <sup>3</sup> / <sub>16</sub>	3 <sup>7</sup> / <sub>8</sub>	3
		400	Polyolefin	Delrin	3.00514.801	6 <sup>3</sup> / <sub>16</sub>	3 <sup>7</sup> / <sub>8</sub>	2 1/2
			Polyolefin	Roller	3.00514.809	6 <sup>3</sup> / <sub>16</sub>	3 <sup>7</sup> / <sub>8</sub>	2 1/2
			Polyurethane HI-TECH	Delrin	3.00514.901	6 <sup>3</sup> / <sub>16</sub>	3 <sup>7</sup> / <sub>8</sub>	3
			Polyurethane HI-TECH	Roller	3.00514.909	6 <sup>3</sup> / <sub>16</sub>	3 <sup>7</sup> / <sub>8</sub>	3
			Phenolic	Delrin	3.00514.301	6 <sup>3</sup> / <sub>16</sub>	3 <sup>7</sup> / <sub>8</sub>	2 1/2
			Phenolic	Ball	3.00514.305	6 <sup>3</sup> / <sub>16</sub>	3 <sup>7</sup> / <sub>8</sub>	2 1/2
			Phenolic	Roller	3.00514.309	6 <sup>3</sup> / <sub>16</sub>	3 <sup>7</sup> / <sub>8</sub>	2 <sup>3</sup> / <sub>4</sub>
			Cast Iron	Delrin	3.00514.101	6 <sup>3</sup> / <sub>16</sub>	3 <sup>7</sup> / <sub>8</sub>	4 1/2
		Cast Iron	Roller	3.00514.109	6 <sup>3</sup> / <sub>16</sub>	3 <sup>7</sup> / <sub>8</sub>	4 1/2	
6"	1 1/2"	300	Performa Rubber (Conductive Flat)	Roller	3.00614.449 COND	7 <sup>3</sup> / <sub>16</sub>	4 <sup>5</sup> / <sub>8</sub>	4
		375	Performa Rubber (Flat/Grey)	Delrin	3.00614.441	7 <sup>3</sup> / <sub>16</sub>	4 <sup>5</sup> / <sub>8</sub>	4
			Performa Rubber (Flat/Grey)	Roller	3.00614.449	7 <sup>3</sup> / <sub>16</sub>	4 <sup>5</sup> / <sub>8</sub>	4
		400	Polyolefin	Delrin	3.00614.801	7 <sup>3</sup> / <sub>16</sub>	4 <sup>5</sup> / <sub>8</sub>	2 1/2
			Polyolefin	Roller	3.00614.809	7 <sup>3</sup> / <sub>16</sub>	4 <sup>5</sup> / <sub>8</sub>	2 1/2
			Polyurethane HI-TECH	Delrin	3.00614.901	7 <sup>3</sup> / <sub>16</sub>	4 <sup>5</sup> / <sub>8</sub>	3 1/2
			Polyurethane HI-TECH	Roller	3.00614.909	7 <sup>3</sup> / <sub>16</sub>	4 <sup>5</sup> / <sub>8</sub>	3 1/2
			Phenolic	Delrin	3.00614.301	7 <sup>3</sup> / <sub>16</sub>	4 <sup>5</sup> / <sub>8</sub>	3 1/4
			Phenolic	Ball	3.00614.305	7 <sup>3</sup> / <sub>16</sub>	4 <sup>5</sup> / <sub>8</sub>	3 1/4
			Phenolic	Roller	3.00614.309	7 <sup>3</sup> / <sub>16</sub>	4 <sup>5</sup> / <sub>8</sub>	3 1/2
			Cast Iron	Delrin	3.00614.101	7 <sup>3</sup> / <sub>16</sub>	4 <sup>5</sup> / <sub>8</sub>	5 <sup>3</sup> / <sub>4</sub>
		Cast Iron	Roller	3.00614.109	7 <sup>3</sup> / <sub>16</sub>	4 <sup>5</sup> / <sub>8</sub>	5 <sup>3</sup> / <sub>4</sub>	

Roller Bearing Options: Metal cage roller bearing (Specify **WB29**).

3 SERIES