

2 colson[®] SERIES

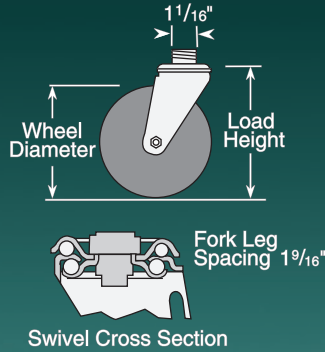
Capacity up to 325 lbs each

www.colsoncaster.com

Standard Features

- Zinc plated finish is attractive and durable
- Full double ball hardened raceways for better performance and greater durability
- 3/8" hollow axle with lock nut
- Grease holes on wheel bearing for greater convenience
- "Colson 45" multi-temp grease lubricates in extreme hot and cold temperatures

Pipe Thread Stem



Standard Mounting:

Fits Standard 3/4" Pipe Coupling
The actual diameter of the threaded stem is approximately 1 1/16". The pipe thread stem screws directly into a standard pipe coupling for a rigid and permanent fit with full swivel action.

Easy Installation

The 7/16" hex nut beneath the lower raceway makes it fast and easy to install these casters on a wide variety of equipment.



Performance Options

Caster Brake

Total Lock Brake (See page 12)
Locks wheel and swivel simultaneously. Fits 3 1/2", 4" and 5" swivel models. Field installable (Specify **BRK5**).

Side Lock Brake (See page 12)
Available on all swivel models. Field installable (Specify **BRK1**).

Fork Option

NSF Listed (See page 3)
All models except thread guards and cast iron wheels (Specify **FSI**).

Dust Cap (See page 16)–Specify **DC1**.

Axle/Nut Options:

- AX1** Zerk Axle
- AX2** Solid Axle
- NT1** Thick lock nut



Wheel Option

Thread Guards (See page 16) – Available on many models. (Specify **TG1** for metal **TG2** for plastic).

Wheel Selection



PERFORMA
FLAT TREAD



PERFORMA
ROUND TREAD



PERFORMA
CONDUCTIVE FLAT



PERFORMA
CONDUCTIVE ROUND



POLYOLEFIN



THERMO



THERMOTECH[®]



POLYURETHANE
HI-TECH



CAST IRON



RUBBER HI-TECH



PHENOLIC

2 SERIES • Pipe Thread Stem • Capacity up to 325 lbs

Wheel Dia.	Tread Width	Capacity Each (Pounds)	Wheel Descriptions	Wheel Bearing	Stem Caster Models	Load Height	Swivel Radius	Weight (Pounds)
2 1/2"	1 1/4"	125	Perma Rubber (Conductive Flat)	Ball	2.02253.445 COND	4	2 13/32	1 3/4
		140	Perma Rubber (Flat tread)	Delrin	2.02253.441	4	2 13/32	1 3/4
			Perma Rubber (Flat tread)	Ball	2.02253.445	4	2 13/32	1 3/4
		200	Polyolefin	Delrin	2.02253.53	4	2 13/32	1 3/4
			Polyolefin	Ball	2.02253.55	4	2 13/32	1 3/4
		250	Polyurethane HI-TECH	Delrin	2.02253.91	4	2 13/32	1 1/2
	Polyurethane HI-TECH		Ball	2.02253.95	4	2 13/32	1 1/2	
1 7/16"	300	Cast Iron	Sleeve	2.02253.12	4	2 13/32	2 1/8	
3"	1 1/4"	150	Rubber HI-TECH	Plain	2.03353.42	4 1/4	2 21/32	2
		200	Polyurethane HI-TECH	Plain	2.03353.92	4 1/4	2 21/32	2
			Polyolefin	Delrin	2.03353.52	4 1/4	2 21/32	2
	1 15/32"	300	Phenolic	Roller	2.03353.309	4 1/4	2 21/32	2 3/4
3 1/2"	1 5/16"	210	Perma Rubber (Conductive Round)	Ball	2.03253.565 COND	4 13/16	2 29/32	2 1/4
			Perma Rubber (Round tread)	Delrin	2.03253.561	4 13/16	2 29/32	2 1/4
			Perma Rubber (Round tread)	Ball	2.03253.565	4 13/16	2 29/32	2 1/4
	1 1/4"	225	Perma Rubber (Conductive Flat)	Ball	2.03253.445 COND	4 13/16	2 29/32	2 1/4
			Polyolefin	Delrin	2.03253.53	4 13/16	2 29/32	2 1/8
		230	Polyolefin	Ball	2.03253.55	4 13/16	2 29/32	2 1/8
			250	Perma Rubber (Flat tread)	Delrin	2.03253.441	4 13/16	2 29/32
		Perma Rubber (Flat tread)		Ball	2.03253.445	4 13/16	2 29/32	2 1/8
		Polyurethane HI-TECH		Delrin	2.03253.91	4 13/16	2 29/32	1 3/4
		Polyurethane HI-TECH		Ball	2.03253.95	4 13/16	2 29/32	1 3/4
		300	Thermo	Plain	2.03253.52 HT	4 13/16	2 29/32	3 1/8
			Cast Iron	Sleeve	2.03253.12	4 13/16	2 29/32	3
		4"	1 1/4"	250	ThermoTech	Teflon	2.04253.613 H	5 1/4
Perma Rubber (Conductive Flat)	Ball				2.04253.445 COND	5 1/4	3 7/32	2 1/4
275	Polyolefin			Delrin	2.04253.53	5 1/4	3 7/32	2 1/4
	Polyolefin			Ball	2.04253.55	5 1/4	3 7/32	2 1/4
	Polyurethane HI-TECH			Delrin	2.04253.91	5 1/4	3 7/32	2
	Polyurethane HI-TECH			Ball	2.04253.95	5 1/4	3 7/32	2
300	Perma Rubber (Flat tread)		Delrin	2.04253.441	5 1/4	3 7/32	2 1/4	
	Perma Rubber (Flat tread)		Ball	2.04253.445	5 1/4	3 7/32	2 1/4	
	Thermo		Plain	2.04253.52 HT	5 1/4	3 7/32	3 1/4	
Cast Iron	Sleeve		2.04253.12	5 1/4	3 7/32	3 1/2		
5"	1 1/4"		250	ThermoTech	Teflon	2.05253.613H	6 5/16	3 13/16
		Perma Rubber (Conductive Flat)		Ball	2.05253.445 COND	6 5/16	3 13/16	3
	1 5/16"	250	Perma Rubber (Conductive Round)	Ball	2.05253.565 COND	6 5/16	3 13/16	3
			Perma Rubber (Round tread)	Delrin	2.05253.561	6 5/16	3 13/16	3
	1 1/4"	300	Perma Rubber (Round tread)	Ball	2.05253.565	6 5/16	3 13/16	3
			Polyolefin	Delrin	2.05253.53	6 5/16	3 13/16	2 3/4
			Polyolefin	Ball	2.05253.55	6 5/16	3 13/16	2 3/4
			Polyurethane HI-TECH	Delrin	2.05253.91	6 5/16	3 13/16	2 1/2
			Polyurethane HI-TECH	Ball	2.05253.95	6 5/16	3 13/16	2 1/2
			Cast Iron	Sleeve	2.05253.12	6 5/16	3 13/16	3 3/4
			325	Perma Rubber (Flat tread)	Delrin	2.05253.441	6 5/16	3 13/16
		Perma Rubber (Flat tread)		Ball	2.05253.445	6 5/16	3 13/16	2 3/4
Thermo		Plain		2.05253.52 HT	6 5/16	3 13/16	3 3/4	

2 SERIES