

2 colson SERIES

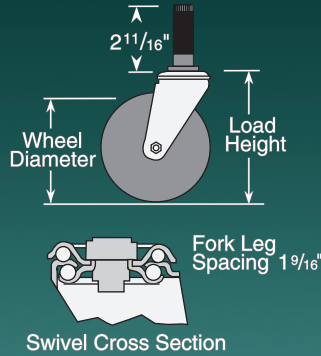
Capacity up to 325 lbs each

www.colsoncaster.com

Standard Features

- Zinc plated finish is attractive and durable
- Full double ball hardened raceways for better performance and greater durability
- 3/8" hollow axle with lock nut
- Grease holes on wheel bearing for greater convenience
- "Colson 45" multi-temp grease lubricates in extreme hot and cold temperatures

Expanding Adapter Stem



Performance Options

Mounting Options

Inside Diameter of Tube	Mounting Code Numbers	
	Round Tubing	Square Tubing
3/4" - 13/16"	MTG40	-
7/8" - 15/16"	MTG41	MTG51
1" - 1 1/16"	MTG42	MTG52
1 1/8" - 1 3/16"	MTG43	MTG53
1 1/4" - 1 5/16"	MTG44	MTG54
1 3/8" - 1 7/16"	MTG45	MTG55
1 1/2" - 1 9/16"	MTG46	-
1 5/8" - 1 11/16"	MTG47	-

Stems are 2 11/16" long. Stem size less adapter: 1/2" - 13UNC x 2 11/16"

Caster Brake

Total Lock Brake (See page 12)
Locks wheel and swivel simultaneously. Fits 3 1/2", 4" and 5" swivel models. Field installable (Specify **BRK5**).

Side Lock Brake (See page 12)
Available on all swivel models. Field installable (Specify **BRK1**).

Fork Option

NSF Listed (See page 3)
All models except thread guards and cast iron wheels (Specify **FSI**).

Swivel Dust Cap (See page 16)
Specify **DC1**.

Axle/Nut Options:

- AX1** Zerk Axle
- AX2** Solid Axle
- NT1** Thick lock nut



Wheel Option

Thread Guards (See page 16)
Available on many models (Specify **TG1** for metal **TG2** for plastic).

Standard Mounting:

Turning of hex nut beneath lower raceway expands rubber adapter inside of round or square tubing for a tight, permanent fit. To order, select caster model number and specify stem adapter size by code number from mounting option chart at right.



New Single Assembly Expanding Adapter Stems:

New design features interlocked pieces for easy one piece attachment.



All components are corrosion resistant.

Wheel Selection



Note: Expanding adapter temperature rating is at 180°F.

2 SERIES • Expanding Adapter Stem • Capacity up to 325 lbs

Wheel Dia.	Tread Width	Capacity Each (Pounds)	Wheel Descriptions	Wheel Bearing	Stem Caster Models	Load Height	Swivel Radius	Weight (Pounds)
2 1/2"	1 1/4"	140	Performa Rubber (Flat tread)	Delrin	2.02267.441	4	2 13/32	1 3/4
			Performa Rubber (Flat tread)	Ball	2.02267.445	4	2 13/32	1 3/4
		200	Polyolefin	Delrin	2.02267.53	4	2 13/32	1 3/4
			Polyolefin	Ball	2.02267.55	4	2 13/32	1 3/4
		250	Polyurethane HI-TECH	Delrin	2.02267.91	4	2 13/32	1 1/2
			Polyurethane HI-TECH	Ball	2.02267.95	4	2 13/32	1 1/2
	300	Cast Iron	Sleeve	2.02267.12	4	2 13/32	2 1/8	
1 7/16"	300	Phenolic	Roller	2.02267.319	4	2 13/32	1 3/4	
3"	1 1/4"	150	Rubber HI-TECH	Plain	2.03367.42	4 1/4	2 21/32	2
		200	Polyurethane HI-TECH	Plain	2.03367.92	4 1/4	2 21/32	2
			Polyolefin	Delrin	2.03367.52	4 1/4	2 21/32	2
	1 15/32"	300	Phenolic	Roller	2.03367.309	4 1/4	2 21/32	2 3/4
3 1/2"	1 5/16"	210	Performa Rubber (Round tread)	Delrin	2.03267.561	4 9/16	2 29/32	2 1/4
			Performa Rubber (Round tread)	Ball	2.03267.565	4 9/16	2 29/32	2 1/4
	1 1/4"	230	Polyolefin	Delrin	2.03267.53	4 9/16	2 29/32	2 1/8
			Polyolefin	Ball	2.03267.55	4 9/16	2 29/32	2 1/8
		250	Performa Rubber (Flat tread)	Delrin	2.03267.441	4 9/16	2 29/32	2 1/8
			Performa Rubber (Flat tread)	Ball	2.03267.445	4 9/16	2 29/32	2 1/8
			Polyurethane HI-TECH	Delrin	2.03267.91	4 9/16	2 29/32	1 3/4
			Polyurethane HI-TECH	Ball	2.03267.95	4 9/16	2 29/32	1 3/4
		300	Cast Iron	Sleeve	2.03267.12	4 9/16	2 29/32	3
		4"	1 1/4"	275	Polyolefin	Delrin	2.04267.53	5 1/4
Polyolefin	Ball				2.04267.55	5 1/4	3 7/32	2 1/4
Polyurethane HI-TECH	Delrin				2.04267.91	5 1/4	3 7/32	2
300	Polyurethane HI-TECH			Ball	2.04267.95	5 1/4	3 7/32	2
	Performa Rubber (Flat tread)			Delrin	2.04267.441	5 1/4	3 7/32	2 1/4
	Performa Rubber (Flat tread)			Ball	2.04267.445	5 1/4	3 7/32	2 1/4
Cast Iron	Sleeve		2.04267.12	5 1/4	3 7/32	3 1/2		
5"	1 5/16"	250	Performa Rubber (Round tread)	Delrin	2.05267.561	6 5/16	3 13/16	3
			Performa Rubber (Round tread)	Ball	2.05267.565	6 5/16	3 13/16	3
	1 1/4"	300	Polyolefin	Delrin	2.05267.53	6 5/16	3 13/16	2 3/4
			Polyolefin	Ball	2.05267.55	6 5/16	3 13/16	2 3/4
			Polyurethane HI-TECH	Delrin	2.05267.91	6 5/16	3 13/16	2 1/2
			Polyurethane HI-TECH	Ball	2.05267.95	6 5/16	3 13/16	2 1/2
			Cast Iron	Sleeve	2.05267.12	6 5/16	3 13/16	3 3/4
			325	Performa Rubber (Flat tread)	Delrin	2.05267.441	6 5/16	3 13/16
	Performa Rubber (Flat tread)	Ball		2.05267.445	6 5/16	3 13/16	2 3/4	

2 SERIES