

2 colson[®] SERIES

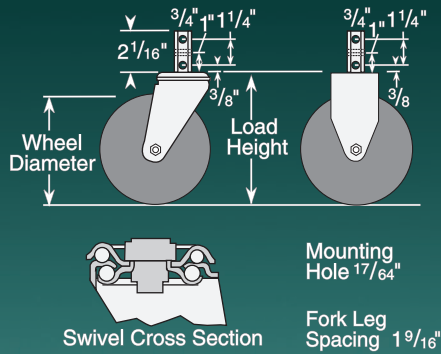
Capacity up to 325 lbs each

www.colsoncaster.com

Standard Features

- Zinc plated finish is attractive and durable
- Full double ball hardened raceways for better performance and greater durability
- 3/8" hollow axle with lock nut
- Grease holes on wheel bearing for greater convenience
- "Colson 45" multi-temp grease lubricates in extreme hot and cold temperatures

Square Stem Swivel & Rigid



Standard Mounting:

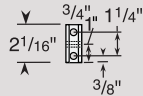
2 1/16" long x 3/4" square with 3 mounting holes 17/64" diameter. Designed for easy installation on the inside of angle iron legs or against flat surfaces. Stems may be bolted or riveted against any flat vertical surface.

Mounting Options

Square Stem MTG1: 2 1/16" long x 7/8" square with 1 mounting hole 17/64" diameter (Specify **MTG1**).



Octagon Stem MTG3: 2 1/16" long x 3/4" octagon with 3 mounting holes 17/64" diameter (Specify **MTG3**).



Performance Options

Caster Brake

Total Lock Brake (See page 12) Locks wheel and swivel simultaneously. Fits 3 1/2", 4" and 5" swivel models. Field installable (Specify **BRK5**).

Side Lock Brake (See page 12) Available on all swivel models. Field installable (Specify **BRK1**).

Fork Option

NSF Listed (See page 3) All models except thread guards and cast iron wheels (Specify **FSI**).

Swivel Dust Cap (See page 16) Specify **DC1**.

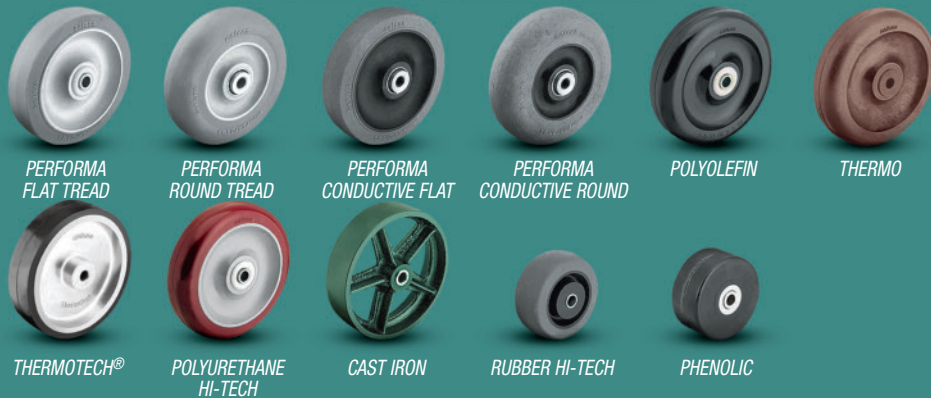
Axle/Nut Options:
AX1 Zerk Axle
AX2 Solid Axle
NT1 Thick lock nut



Wheel Option

Thread Guards (See page 16) Available on many models (Specify **TG1** for metal **TG2** for plastic).

Wheel Selection



2 SERIES • Square Stem Swivel & Rigid • Capacity up to 325 lbs

| Wheel Dia. | Tread Width | Capacity Each (Pounds) | Wheel Descriptions | Wheel Bearing | Swivel Caster Models | Rigid Caster Models | Load Height | Swivel Radius | Weight (Pounds) |
|------------|----------------------|---------------------------|---------------------------------|---------------|----------------------|---------------------|-------------|---------------|-----------------|
| 2 1/2" | 1 1/4" | 125 | Perma Rubber (Conductive Flat) | Ball | 2.02270.445 COND | – | 3 3/4 | 2 13/32 | 1 5/8 |
| | | 140 | Perma Rubber (Flat tread) | Delrin | 2.02270.441 | – | 3 3/4 | 2 13/32 | 1 5/8 |
| | | | Perma Rubber (Flat tread) | Ball | 2.02270.445 | – | 3 3/4 | 2 13/32 | 1 5/8 |
| | | 200 | Polyolefin | Delrin | 2.02270.53 | – | 3 3/4 | 2 13/32 | 1 5/8 |
| | | | Polyolefin | Ball | 2.02270.55 | – | 3 3/4 | 2 13/32 | 1 5/8 |
| | | 250 | Polyurethane HI-TECH | Delrin | 2.02270.91 | – | 3 3/4 | 2 13/32 | 1 5/8 |
| | Polyurethane HI-TECH | | Ball | 2.02270.95 | – | 3 3/4 | 2 13/32 | 1 5/8 | |
| | 300 | Cast Iron | Sleeve | 2.02270.12 | – | 3 3/4 | 2 13/32 | 2 | |
| 1 7/16" | 300 | Phenolic | Roller | 2.02270.319 | – | 3 3/4 | 2 13/32 | 1 5/8 | |
| 3" | 1 1/4" | 150 | Rubber HI-TECH | Plain | 2.03370.42 | – | 4 | 2 21/32 | 2 |
| | | 200 | Polyurethane HI-TECH | Plain | 2.03370.92 | – | 4 | 2 21/32 | 2 |
| | | | Polyolefin | Delrin | 2.03370.52 | – | 4 | 2 21/32 | 2 |
| | 1 15/32" | 300 | Phenolic | Roller | 2.03370.309 | – | 4 | 2 21/32 | 2 3/4 |
| 3 1/2" | 1 5/16" | 210 | Perma Rubber (Conductive Round) | Ball | 2.03270.565 COND | – | 4 9/16 | 2 29/32 | 2 1/4 |
| | | | Perma Rubber (Round tread) | Delrin | 2.03270.561 | – | 4 9/16 | 2 29/32 | 2 1/4 |
| | | | Perma Rubber (Round tread) | Ball | 2.03270.565 | – | 4 9/16 | 2 29/32 | 2 1/4 |
| | 1 1/4" | 225 | Perma Rubber (Conductive Flat) | Ball | 2.03270.445 COND | – | 4 9/16 | 2 29/32 | 2 |
| | | | Polyolefin | Delrin | 2.03270.53 | – | 4 9/16 | 2 29/32 | 1 7/8 |
| | | 230 | Polyolefin | Ball | 2.03270.55 | – | 4 9/16 | 2 29/32 | 1 7/8 |
| | | | Perma Rubber (Flat tread) | Delrin | 2.03270.441 | – | 4 9/16 | 2 29/32 | 2 |
| | | 250 | Perma Rubber (Flat tread) | Ball | 2.03270.445 | – | 4 9/16 | 2 29/32 | 2 |
| | | | Polyurethane HI-TECH | Delrin | 2.03270.91 | – | 4 9/16 | 2 29/32 | 2 7/8 |
| | 300 | Polyurethane HI-TECH | Ball | 2.03270.95 | – | 4 9/16 | 2 29/32 | 2 7/8 | |
| | | Thermo | Plain | 2.03270.52 HT | – | 4 9/16 | 2 29/32 | 2 7/8 | |
| | Cast Iron | Sleeve | 2.03270.12 | – | 4 9/16 | 2 29/32 | 3 | | |
| 4" | 1 1/4" | 250 | ThermoTech | Teflon | 2.04270.613 H | – | 5 | 3 7/32 | 3 |
| | | | Perma Rubber (Conductive Flat) | Ball | 2.04270.445 COND | – | 5 | 3 7/32 | 2 1/4 |
| | | 275 | Polyolefin | Delrin | 2.04270.53 | – | 5 | 3 7/32 | 2 1/8 |
| | | | Polyolefin | Ball | 2.04270.55 | – | 5 | 3 7/32 | 2 1/8 |
| | | | Polyurethane HI-TECH | Delrin | 2.04270.91 | – | 5 | 3 7/32 | 2 1/8 |
| | 300 | Polyurethane HI-TECH | Ball | 2.04270.95 | – | 5 | 3 7/32 | 2 1/8 | |
| | | Perma Rubber (Flat tread) | Delrin | 2.04270.441 | – | 5 | 3 7/32 | 2 1/4 | |
| | | Perma Rubber (Flat tread) | Ball | 2.04270.445 | – | 5 | 3 7/32 | 2 1/4 | |
| | Thermo | Plain | 2.04270.52 HT | – | 5 | 3 7/32 | 3 1/8 | | |
| | | Cast Iron | Sleeve | 2.04270.12 | – | 5 | 3 7/32 | 3 3/8 | |
| 5" | 1 1/4" | 250 | ThermoTech | Teflon | 2.05270.613 H | 2.05280.613 H | 6 1/16 | 3 13/16 | 3 |
| | | | Perma Rubber (Conductive Flat) | Ball | 2.05270.445 COND | 2.05280.445 COND | 6 1/16 | 3 13/16 | 3 |
| | 1 5/16" | 250 | Perma Rubber (Conductive Round) | Ball | 2.05270.565 COND | 2.05280.565 COND | 6 1/16 | 3 13/16 | 3 |
| | | | Perma Rubber (Round tread) | Delrin | 2.05270.561 | 2.05280.561 | 6 1/16 | 3 13/16 | 3 |
| | | | Perma Rubber (Round tread) | Ball | 2.05270.565 | 2.05280.565 | 6 1/16 | 3 13/16 | 3 |
| | 1 1/4" | 300 | Polyolefin | Delrin | 2.05270.53 | 2.05280.53 | 6 1/16 | 3 13/16 | 2 1/2 |
| | | | Polyolefin | Ball | 2.05270.55 | 2.05280.55 | 6 1/16 | 3 13/16 | 2 1/2 |
| | | | Polyurethane HI-TECH | Delrin | 2.05270.91 | 2.05280.91 | 6 1/16 | 3 13/16 | 2 1/2 |
| | | 325 | Polyurethane HI-TECH | Ball | 2.05270.95 | 2.05280.95 | 6 1/16 | 3 13/16 | 2 1/2 |
| | | | Perma Rubber (Flat tread) | Delrin | 2.05270.441 | 2.05280.441 | 6 1/16 | 3 13/16 | 2 3/4 |
| | | | Perma Rubber (Flat tread) | Ball | 2.05270.445 | 2.05280.445 | 6 1/16 | 3 13/16 | 2 3/4 |
| | Thermo | Plain | 2.05270.52 HT | 2.05280.52 HT | 6 1/16 | 3 13/16 | 3 1/2 | | |

2 SERIES