

colson 6SERIES

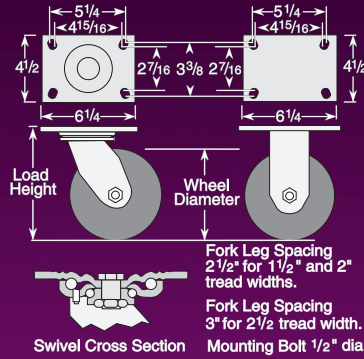
Capacity up to 1500 lbs each

www.colsoncaster.com

Standard Features

- Attractive zinc plated finish
- Full double ball hardened raceways
- 1/2" hollow axle with grease zerck and lock nut
- Plastic seal/retainer washer (roller bearing models)
- 5/16" steel top plate for durability (1/4" rigid top plate)
- Heat treated bolt and nut king pin with 3/4" diameter bolt
- Grease fittings: wheel bearing and swivel raceway
- "Colson 45" multi-temp grease lubricates in extreme hot and cold temperatures

Top Plate Swivel & Rigid



Performance Options

Caster Brake

Tread Lock (See page 14)
Available on all swivel casters with 2" tread widths except V-Groove models (Specify **BRK1**).

Fork/Wheel Options

Hand Activated Swivel Lock: Swivel lock notch not standard, specify **MTG72** fork (See page 15).
Thread Guards (See page 16) – Available on many models (Specify **TG1** for metal **TG2** for plastic).

Axle/Nut Options: **AX2** Solid Axle (2" Tread Width)
NT1 Thick lock nut
NT2 Thin lock nut

Lube Options:

No Grease	GRF1	GRW1
Double Grease	GRF2	GRW2
300° Continuous	GRF3	GRW3
500° Continuous	Consult Factory	

Wheel Selection



6 SERIES • Top Plate Swivel & Rigid • Capacity up to 1500 lbs

Wheel Dia.	Tread Width	Capacity Each (Pounds)	Wheel Descriptions	Swivel Top Plate Roller Bearing Caster Models	Rigid Top Plate Roller Bearing Caster Models	Optional Bearings (Order information below chart)	Load Height	Swivel Radius	Weight lbs (Rigid Deduct 1.5 lbs)	
4"	1 1/2"	600	Moldon Polyurethane (Aluminum core)	6.04209.919	6.04208.919	Delrin	5 5/8	3 5/8	7	
		1400	Forged Steel	6.04209.219	6.04208.219	Delrin	5 5/8	3 5/8	8 3/4	
	2"	300	Performa Rubber (Conductive Flat)	6.04209.459 COND	6.04208.459 COND	Ball	5 5/8	3 5/8	7 1/4	
			Performa Rubber (Flat/Black)	6.04209.459.2	6.04208.459.2	Delrin, Ball, Prec. Ball	5 5/8	3 5/8	7 1/4	
		400	Performa Rubber (Flat/Grey)	6.04209.459	6.04208.459	Delrin, Ball, Prec. Ball	5 5/8	3 5/8	7 1/4	
			Trans-forma™ (Flat/Grey)	6.04209.4E9	6.04208.4E9	Delrin, Ball	5 5/8	3 5/8	7 1/4	
			Moldon Rubber (Cast iron core)	6.04209.649.7	6.04208.649.7	Delrin	5 5/8	3 5/8	9 1/4	
			Polyolefin	6.04209.839	6.04208.839	Delrin, Plain	5 5/8	3 5/8	7 1/4	
		800	600	Polyurethane HI-TECH	6.04209.929	6.04208.929	Delrin	5 5/8	3 5/8	7 1/2
			700	Moldon Polyurethane (Aluminum core)	6.04209.939	6.04208.939	Delrin	5 5/8	3 5/8	7 1/2
			Moldon Polyurethane (Cast iron core)	6.04209.949.7	6.04208.949.7	Delrin	5 5/8	3 5/8	9 1/4	
			Maxim	6.04209.539	6.04208.539	Delrin, Bronze	5 5/8	3 5/8	6 3/8	
			Phenolic	6.04209.339	6.04208.339	Delrin	5 5/8	3 5/8	7 1/4	
			Thermo	6.04209.839 HT	6.04208.839 HT	Plain	5 5/8	3 5/8	8 1/4	
			V-Groove	6.04209.739	6.04208.739	Delrin	5 5/8	3 5/8	11	
			1000	Endura Solid Elastomer	6.04209.839 EN	6.04208.839 EN	Delrin, Prec. Ball	5 5/8	3 5/8	7 1/4
Cast Iron	6.04209.139		6.04208.139	Delrin	5 5/8	3 5/8	9			
5"	2"		325	Performa Rubber (Conductive Flat)	6.05209.459 COND	6.05208.459 COND	Ball	6 1/2	4 5/16	9
		400	Moldon Rubber (Cast iron core)	6.05209.649.7	6.05208.649.7	Delrin	6 1/2	4 5/16	11 1/4	
		500	Performa Rubber (Flat/Black)	6.05209.459.2	6.05208.459.2	Delrin, Ball, Prec. Ball	6 1/2	4 5/16	9	
			Performa Rubber (Flat/Grey)	6.05209.459	6.05208.459	Delrin, Ball, Prec. Ball	6 1/2	4 5/16	9	
		650	Trans-forma™ (Flat/Grey)	6.05209.4E9	6.05208.4E9	Delrin, Ball	6 1/2	4 5/16	9	
			Polyolefin	6.05209.839	6.05208.839	Delrin, Plain	6 1/2	4 5/16	9	
		1000	750	Polyurethane HI-TECH	6.05209.929	6.05208.929	Delrin	6 1/2	4 5/16	8 1/2
			Maxim	6.05209.539	6.05208.539	Delrin, Bronze	6 1/2	4 5/16	6 3/4	
			Endura Solid Elastomer	6.05209.839 EN	6.05208.839 EN	Delrin, Prec. Ball	6 1/2	4 5/16	8	
			Moldon Polyurethane (Aluminum core)	6.05209.939	6.05208.939	Delrin	6 1/2	4 5/16	8 3/4	
			Moldon Polyurethane (Cast iron core)	6.05209.949.7	6.05208.949.7	Delrin	6 1/2	4 5/16	11 1/4	
			Moldon Nylon	6.05209.939.3	6.05208.939.3	Delrin	6 1/2	4 5/16	8	
			Phenolic	6.05209.339	6.05208.339	Delrin	6 1/2	4 5/16	8	
			Thermo	6.05209.839 HT	6.05208.839 HT	Plain	6 1/2	4 5/16	9	
	1500	Cast Iron	6.05209.139	6.05208.139	Delrin	6 1/2	4 5/16	10 3/4		
	6"	2"	410	Performa Rubber (Conductive Flat)	6.06209.459 COND	6.06208.459 COND	Ball	7 1/2	4 3/4	7 3/4
Performa Rubber (Conductive Round)			6.06209.559 COND	6.06208.559 COND	Ball	7 1/2	4 3/4	7 3/4		
450			Performa Rubber (Round/Grey)	6.06209.559	6.06208.559	Delrin, Ball, Prec. Ball	7 1/2	4 3/4	7 3/4	
			Trans-forma™ (Round/Grey)	6.06209.5E9	6.06208.5E9	Delrin, Ball	7 1/2	4 3/4	7 3/4	
600			Moldon Rubber (Cast iron core)	6.06209.649.7	6.06208.649.7	Delrin	7 1/2	4 3/4	12 1/4	
			Performa Rubber (Flat/Black)	6.06209.459.2	6.06208.459.2	Delrin, Ball, Prec. Ball	7 1/2	4 3/4	7 3/4	
			Performa Rubber (Flat/Grey)	6.06209.459	6.06208.459	Delrin, Ball, Prec. Ball	7 1/2	4 3/4	7 3/4	
			Trans-forma™ (Flat/Grey)	6.06209.4E9	6.06208.4E9	Delrin, Ball	7 1/2	4 3/4	7 3/4	
900			Polyolefin	6.06209.839	6.06208.839	Delrin, Plain	7 1/2	4 3/4	8 1/2	
			Polyurethane HI-TECH	6.06209.929	6.06208.929	Delrin	7 1/2	4 3/4	7 3/4	
			Triumph (Round)*	6.06209.96TF	6.06208.96TF	Prec. Ball	7 1/2	4 3/4	9 1/4	
			1100	Endura Solid Elastomer	6.06209.839 EN	6.06208.839 EN	Delrin, Prec. Ball	7 1/2	4 3/4	9 1/4
			Maxim	6.06209.539	6.06208.539	Delrin, Bronze	7 1/2	4 3/4	7 3/8	
			Moldon Polyurethane (Aluminum core)	6.06209.939	6.06208.939	Delrin	7 1/2	4 3/4	9 1/4	
		Moldon Polyurethane (Cast iron core)	6.06209.949.7	6.06208.949.7	Delrin	7 1/2	4 3/4	12 1/2		
		Moldon Nylon	6.06209.939.3	6.06208.939.3	Delrin	7 1/2	4 3/4	9 1/4		
1500	Phenolic	6.06209.339	6.06208.339	Delrin	7 1/2	4 3/4	9 1/4			
	V-Groove	6.06209.739	6.06208.739	Delrin	7 1/2	4 3/4	12			
	Cast Iron	6.06209.139	6.06208.139	Delrin	7 1/2	4 3/4	12 1/2			
	Forged Steel	6.06209.239	6.06208.239	Delrin	7 1/2	4 3/4	12 1/2			
2 1/2"	1500	Phenolic	6.06259.369	6.06258.369	-	7 1/2	4 3/4	10 1/4		
8"	2"	500	Performa Rubber (Conductive Flat)	6.08299.459 COND	6.08298.459 COND	Ball	9 1/2	6 1/4	8 1/2	
		Performa Rubber (Conductive Round)	6.08299.559 COND	6.08298.559 COND	Ball	9 1/2	6 1/4	8 1/2		
		Moldon Rubber (Cast iron core)	6.08299.649.7	6.08298.649.7	Delrin	9 1/2	6 1/4	16 1/4		
		600	Performa Rubber (Round/Grey)	6.08299.559	6.08298.559	Delrin, Ball, Prec. Ball	9 1/2	6 1/4	8 1/2	
			Performa Rubber (Flat/Black)	6.08299.459.2	6.08298.459.2	Delrin, Ball, Prec. Ball	9 1/2	6 1/4	8 1/2	
		675	Performa Rubber (Flat/Grey)	6.08299.459	6.08298.459	Delrin, Ball, Prec. Ball	9 1/2	6 1/4	8 1/2	
			Polyolefin	6.08299.839	6.08298.839	Delrin, Plain	9 1/2	6 1/4	10 1/4	
		1000	Polyurethane HI-TECH	6.08299.929	6.08298.929	Delrin	9 1/2	6 1/4	9 1/2	
			Endura Solid Elastomer	6.08299.839 EN	6.08298.839 EN	Delrin, Prec. Ball	9 1/2	6 1/4	11 1/2	
			Triumph (Round)*	6.08299.96TF	6.08298.96TF	Prec. Ball	9 1/2	6 1/4	11 1/2	
			Phenolic	6.08299.339	6.08298.339	Delrin	9 1/2	6 1/4	11 1/2	
		1400	Maxim	6.08299.539	6.08298.539	Delrin, Bronze	9 1/2	6 1/4	8	
			Moldon Polyurethane (Aluminum core)	6.08299.939	6.08298.939	Delrin	9 1/2	6 1/4	11 1/4	
			Moldon Polyurethane (Cast iron core)	6.08299.949.7	6.08298.949.7	Delrin	9 1/2	6 1/4	16 1/4	
	Triumph (Crown)*		6.08299.93TF	6.08298.93TF	Prec. Ball	9 1/2	6 1/4	11 1/2		
	1500	Moldon Nylon	6.08299.939.3	6.08298.939.3	Delrin	9 1/2	6 1/4	11 1/4		
Cast Iron		6.08299.139	6.08298.139	Delrin	9 1/2	6 1/4	16 1/4			
Phenolic		6.08259.369	6.08258.369	-	9 1/2	6 1/4	13 1/4			
Cast Iron		6.08259.169	6.08258.169	-	9 1/2	6 1/4	18			
2 1/2"	1500	Phenolic	6.08259.369	6.08258.369	-	11 1/2	7 25/32	14 3/4		
	Cast Iron	6.08259.169	6.08258.169	-	11 1/2	7 25/32	22 1/2			
10"	2 1/2"	1500	Phenolic	6.10259.369	6.10258.369	-	11 1/2	7 25/32	14 3/4	
		Cast Iron	6.10259.169	6.10258.169	-	11 1/2	7 25/32	22 1/2		

6 SERIES

Roller Bearing Options: Torrington style roller bearing with retainer (Specify **WB19**). Metal cage roller bearing (Specify **WB29**).
Roller Bearing Washer Options: Metal thrust & retainer washers (Specify **WSR1**). Sintered iron step washers (Specify **WSR2**). Sealed metal retainer washer (Specify **WSR3**).
Delrin Bearing Options: For standard two-piece bearing change ninth digit to "1" (Example: 6.06209.921). One-piece with steel thrust washers (Specify **WB11**).
Ball Bearing Options: To order change 8th & 9th digit in model number to "65" (Example: 6.06209.465). Note: Performance 6" to 8" capacity decreases (See wheel section).
Precision Ball Bearings: To order change 8th and 9th digits to "35" (Example: 6.06209.435). Performa round tread, change wheel code to "555".
Bronze Bearing Options: To order change 9th digit in Maxim model number to "4" (Example: 6.06209.534).
Plain Bearing Options: To order change 9th digit to "2" (Example: 6.06209.832). 59

*Triumph available in different tread types, colors and durometers (see wheel section). Precision ball only.