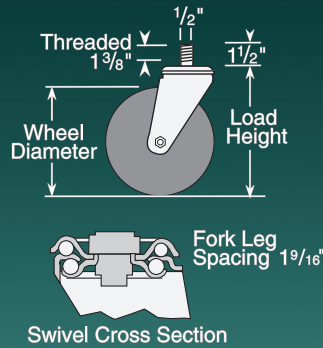


## Standard Features

- Zinc plated finish is attractive and durable
- Full double ball hardened raceways for better performance and greater durability
- 3/8" hollow axle with lock nut
- Grease holes on wheel bearing for greater convenience
- "Colson 45" multi-temp grease lubricates in extreme hot and cold temperatures

## Straight Thread Stem



## Performance Options

### Mounting Options

- MTG10:** 1/2"-13UNC x 3/4" long threaded
- MTG11:** 1/2"-13UNC x 1" long threaded
- MTG12:** 1/2"-20UNF x 3/4" long threaded
- MTG13:** 5/8"-11UNC x 1 3/4" long threaded
- MTG14:** 5/8"-18UNF x 1 3/4" long threaded
- MTG15:** 3/4"-10UNC x 1 3/4" long threaded
- MTG50:** 1/2"-20UNF x 1 1/2" long threaded

### Caster Brake

- Total Lock Brake** (See page 12)  
Locks wheel and swivel simultaneously. Fits 3 1/2", 4" and 5" swivel models. Field installable (Specify **BRK5**).
- Side Lock Brake** (See page 12)  
Available on all swivel models. Field installable (Specify **BRK1**).

### Fork Option

- NSF Listed** (See page 3)  
All models except thread guards and cast iron wheels (Specify **FSI**).
- Swivel Dust Cap** (See page 16)  
Specify **DC1**.
- Axle/Nut Options:**  
**AX1** Zerk Axle  
**AX2** Solid Axle  
**NT1** Thick lock nut



### Wheel Option

- Thread Guards** (See page 16) – Available on many models. (Specify **TG1** for metal **TG2** for plastic).

### Standard Mounting (MTG 53):

1/2" diameter – 13UNC X 1 1/2" long, threaded 1 3/8".

### Easy Installation:

The 7/16" hex nut beneath the lower raceway makes it fast and easy to install these casters on a wide variety of equipment.



## Pemco Shopping Cart Caster

See page 66.



## Wheel Selection



PERFORMA FLAT TREAD



PERFORMA ROUND TREAD



PERFORMA CONDUCTIVE FLAT



PERFORMA CONDUCTIVE ROUND



POLYOLEFIN



THERMO



THERMOTECH®



POLYURETHANE HI-TECH



CAST IRON



RUBBER HI-TECH



PHENOLIC

**IMPORTANT:** If caster stem is to be screwed into customer equipment, the customer must add a washer to the stem that will cover the incomplete threads and support the upper race. The stem shoulder must fit tightly against the customer equipment.

## 2 SERIES • Straight Thread Stem • Capacity up to 325 lbs

Wheel Dia.	Tread Width	Capacity Each (Pounds)	Wheel Descriptions	Wheel Bearing	Stem Caster Models	Load Height	Swivel Radius	Weight (Pounds)	
2 1/2"	1 1/4"	125	Perma Rubber (Conductive Flat)	Ball	2.02254.445 COND	3 3/4	2 13/32	1 3/4	
		140	Perma Rubber (Flat tread)	Delrin	2.02254.441	3 3/4	2 13/32	1 3/4	
			Perma Rubber (Flat tread)	Ball	2.02254.445	3 3/4	2 13/32	1 3/4	
		200	Polyolefin	Delrin	2.02254.53	3 3/4	2 13/32	1 3/4	
			Polyolefin	Ball	2.02254.55	3 3/4	2 13/32	1 3/4	
		250	Polyurethane HI-TECH	Delrin	2.02254.91	3 3/4	2 13/32	1 1/2	
	Polyurethane HI-TECH		Ball	2.02254.95	3 3/4	2 13/32	1 1/2		
300	Cast Iron	Sleeve	2.02254.12	3 3/4	2 13/32	2 1/8			
1 7/16"	300	Phenolic	Roller	2.02254.319	3 3/4	2 13/32	1 3/4		
3"	1 1/4"	150	Rubber HI-TECH	Plain	2.03354.42	4	2 21/32	2	
		200	Polyurethane HI-TECH	Plain	2.03354.92	4	2 21/32	2	
			Polyolefin	Delrin	2.03354.52	4	2 21/32	2	
	1 15/32"	300	Phenolic	Roller	2.03354.309	4	2 21/32	2 3/4	
3 1/2"	1 5/16"	210	Perma Rubber (Conductive Round)	Ball	2.03254.565 COND	4 9/16	2 29/32	2 1/4	
			Perma Rubber (Round tread)	Delrin	2.03254.561	4 9/16	2 29/32	2 1/4	
			Perma Rubber (Round tread)	Ball	2.03254.565	4 9/16	2 29/32	2 1/4	
	1 1/4"	225	Perma Rubber (Conductive Flat)	Ball	2.03254.445 COND	4 9/16	2 29/32	2	
			Polyolefin	Delrin	2.03254.53	4 9/16	2 29/32	2 1/8	
		230	Polyolefin	Ball	2.03254.55	4 9/16	2 29/32	2 1/8	
			250	Perma Rubber (Flat tread)	Delrin	2.03254.441	4 9/16	2 29/32	2 1/8
				Perma Rubber (Flat tread)	Ball	2.03254.445	4 9/16	2 29/32	2 1/8
		Polyurethane HI-TECH		Delrin	2.03254.91	4 9/16	2 29/32	1 3/4	
		300	Polyurethane HI-TECH	Ball	2.03254.95	4 9/16	2 29/32	1 3/4	
	Thermo		Plain	2.03254.52 HT	4 9/16	2 29/32	3 1/8		
	Cast Iron	Sleeve	2.03254.12	4 9/16	2 29/32	3			
	4"	1 1/4"	250	ThermoTech	Teflon	2.04254.613 H	5	3 7/32	3
				Perma Rubber (Conductive Flat)	Ball	2.04254.445 COND	5	3 7/32	2 1/4
275			Polyolefin	Delrin	2.04254.53	5	3 7/32	2 1/4	
			Polyolefin	Ball	2.04254.55	5	3 7/32	2 1/4	
			Polyurethane HI-TECH	Delrin	2.04254.91	5	3 7/32	2	
			Polyurethane HI-TECH	Ball	2.04254.95	5	3 7/32	2	
300		Perma Rubber (Flat tread)	Delrin	2.04254.441	5	3 7/32	2 1/4		
		Perma Rubber (Flat tread)	Ball	2.04254.445	5	3 7/32	2 1/4		
		Thermo	Plain	2.04254.52 HT	5	3 7/32	3 1/4		
Cast Iron		Sleeve	2.04254.12	5	3 7/32	3 1/2			
5"		1 1/4"	250	ThermoTech	Teflon	2.05254.613 H	6 1/16	3 13/16	3
	Perma Rubber (Conductive Flat)			Ball	2.05254.445 COND	6 1/16	3 13/16	3	
	1 5/16"	250	Perma Rubber (Conductive Round)	Ball	2.05254.565 COND	6 1/16	3 13/16	3	
			Perma Rubber (Round tread)	Delrin	2.05254.561	6 1/16	3 13/16	3	
			Perma Rubber (Round tread)	Ball	2.05254.565	6 1/16	3 13/16	3	
	1 1/4"	300	Polyolefin	Delrin	2.05254.53	6 1/16	3 13/16	2 3/4	
			Polyolefin	Ball	2.05254.55	6 1/16	3 13/16	2 3/4	
			Polyurethane HI-TECH	Delrin	2.05254.91	6 1/16	3 13/16	2 1/2	
		325	Polyurethane HI-TECH	Ball	2.05254.95	6 1/16	3 13/16	2 1/2	
			Cast Iron	Sleeve	2.05254.12	6 1/16	3 13/16	3 3/4	
			Perma Rubber (Flat tread)	Delrin	2.05254.441	6 1/16	3 13/16	2 3/4	
			Perma Rubber (Flat tread)	Ball	2.05254.445	6 1/16	3 13/16	2 3/4	
	Thermo	Plain	2.05254.52 HT	6 1/16	3 13/16	3 3/4			

2 SERIES