

# 2 colson<sup>®</sup> SERIES

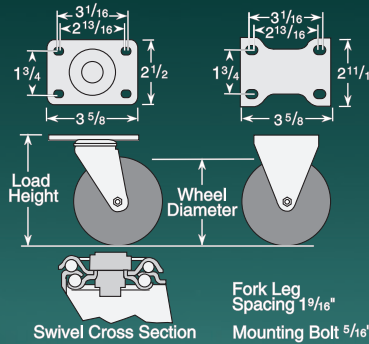
Capacity up to 325 lbs each

www.colsoncaster.com

## Standard Features

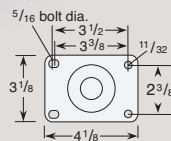
- Zinc plated finish is attractive and durable
- Full double ball hardened raceways for better performance and greater durability
- 3/8" hollow axle with lock nut
- Grease holes on wheel bearing for greater convenience
- "Colson 45" multi-temp grease lubricates in extreme hot and cold temperatures

## Top Plate Swivel & Rigid

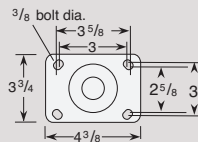


## Performance Options

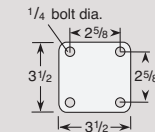
### Optional Top Plates



# 59 Top Plate (Swivel)  
(Specify MTG59).



# 27 Top Plate (Swivel)  
(Specify MTG27)



# 35 Top Plate (Swivel) (Specify MTG35)

### Caster Brake

**Total Lock Brake** (See page 12)  
Locks wheel and swivel simultaneously. Fits 3 1/2", 4" and 5" swivel models. Field installable (Specify BRK5).

**Side Lock Brake** (See page 12)  
Available on all swivel models. Field installable (Specify BRK1).

### Fork Option

**NSF Listed** (See page 3)  
All models except thread guards and cast iron wheels (Specify FSI).

**Swivel Dust Cap** (See page 16)  
Specify DC1.

**Axle/Nut Options:**  
AX1 Zerk Axle  
AX2 Solid Axle  
NT1 Thick lock nut



### Wheel Option

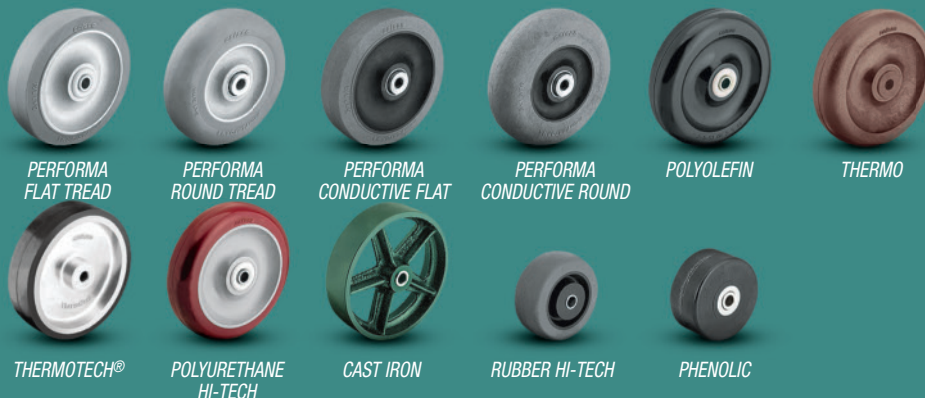
**Thread Guards** (See page 16)  
Available on many models (Specify TG1 for metal TG2 for plastic).



### New 2 Series Direction Lock Caster:

Standard top plate available. For optional top plates consult factory. To order change 4th digit to "1" (example: 2.05156.91).

## Wheel Selection



## 2 SERIES • Top Plate Swivel & Rigid • Capacity up to 325 lbs

Wheel Dia.	Tread Width	Capacity Each (Pounds)	Wheel Descriptions	Wheel Bearing	Swivel Top Plate Caster Models	Rigid Top Plate Caster Models	Load Height	Swivel Radius	Weight (Pounds)
2 1/2"	1 1/4"	125	Perma Rubber (Conductive Flat)	Ball	2.02256.445 COND	2.02208.445 COND	3 7/8	2 13/32	1 5/8
		140	Perma Rubber (Flat tread)	Delrin	2.02256.441	2.02208.441	3 7/8	2 13/32	1 5/8
			Perma Rubber (Flat tread)	Ball	2.02256.445	2.02208.445	3 7/8	2 13/32	1 5/8
		200	Polyolefin	Delrin	2.02256.53	2.02208.53	3 7/8	2 13/32	1 5/8
			Polyolefin	Ball	2.02256.55	2.02208.55	3 7/8	2 13/32	1 5/8
		250	Polyurethane HI-TECH	Delrin	2.02256.91	2.02208.91	3 7/8	2 13/32	1 5/8
	Polyurethane HI-TECH		Ball	2.02256.95	2.02208.95	3 7/8	2 13/32	1 5/8	
	300	Cast Iron	Sleeve	2.02256.12	2.02208.12	3 7/8	2 13/32	2	
1 7/16"	300	Phenolic	Roller	2.02256.319	2.02208.319	3 7/8	2 13/32	1 5/8	
3"	1 1/4"	150	Rubber HI-TECH	Plain	2.03356.42	2.03308.42	4 1/8	2 21/32	2
		200	Polyurethane HI-TECH	Plain	2.03356.92	2.03308.92	4 1/8	2 21/32	2
			Polyolefin	Delrin	2.03356.52	2.03308.52	4 1/8	2 21/32	2
	1 15/32"	300	Phenolic	Roller	2.03356.309	2.03308.309	4 1/8	2 21/32	2 3/4
3 1/2"	1 5/16"	210	Perma Rubber (Conductive Round)	Ball	2.03256.565 COND	2.03208.565 COND	4 11/16	2 29/32	2 1/4
			Perma Rubber (Round tread)	Delrin	2.03256.561	2.03208.561	4 11/16	2 29/32	2 1/4
			Perma Rubber (Round tread)	Ball	2.03256.565	2.03208.565	4 11/16	2 29/32	2 1/4
	1 1/4"	225	Perma Rubber (Conductive Flat)	Ball	2.03256.445 COND	2.03208.445 COND	4 11/16	2 29/32	2
			Polyolefin	Delrin	2.03256.53	2.03208.53	4 11/16	2 29/32	1 7/8
		230	Polyolefin	Ball	2.03256.55	2.03208.55	4 11/16	2 29/32	1 7/8
			Perma Rubber (Flat tread)	Delrin	2.03256.441	2.03208.441	4 11/16	2 29/32	2
		250	Perma Rubber (Flat tread)	Ball	2.03256.445	2.03208.445	4 11/16	2 29/32	2
			Polyurethane HI-TECH	Delrin	2.03256.91	2.03208.91	4 11/16	2 29/32	1 7/8
			Polyurethane HI-TECH	Ball	2.03256.95	2.03208.95	4 11/16	2 29/32	1 7/8
		300	Thermo	Plain	2.03256.52 HT	2.03208.52 HT	4 11/16	2 29/32	2 7/8
			Cast Iron	Sleeve	2.03256.12	2.03208.12	4 11/16	2 29/32	3
4"	1 1/4"	250	ThermoTech	Teflon	2.04256.613 H	2.04208.613 H	5 1/8	3 7/32	3
			Perma Rubber (Conductive Flat)	Ball	2.04256.445 COND	2.04208.445 COND	5 1/8	3 7/32	2 1/4
		275	Polyolefin	Delrin	2.04256.53	2.04208.53	5 1/8	3 7/32	2 1/8
			Polyolefin	Ball	2.04256.55	2.04208.55	5 1/8	3 7/32	2 1/8
			Polyurethane HI-TECH	Delrin	2.04256.91	2.04208.91	5 1/8	3 7/32	2 1/8
	300	Polyurethane HI-TECH	Ball	2.04256.95	2.04208.95	5 1/8	3 7/32	2 1/8	
		Perma Rubber (Flat tread)	Delrin	2.04256.441	2.04208.441	5 1/8	3 7/32	2 1/4	
		Perma Rubber (Flat tread)	Ball	2.04256.445	2.04208.445	5 1/8	3 7/32	2 1/4	
	300	Thermo	Plain	2.04256.52 HT	2.04208.52 HT	5 1/8	3 7/32	3 1/8	
		Cast Iron	Sleeve	2.04256.12	2.04208.12	5 1/8	3 7/32	3 3/8	
5"	1 1/4"	250	ThermoTech	Teflon	2.05256.613 H	2.05208.613 H	6 3/16	3 13/16	3
			Perma Rubber (Conductive Flat)	Ball	2.05256.445 COND	2.05208.445 COND	6 3/16	3 13/16	3
	1 5/16"	250	Perma Rubber (Conductive Round)	Ball	2.05256.565 COND	2.05208.565 COND	6 3/16	3 13/16	3
			Perma Rubber (Round tread)	Delrin	2.05256.561	2.05208.561	6 3/16	3 13/16	3
			Perma Rubber (Round tread)	Ball	2.05256.565	2.05208.565	6 3/16	3 13/16	3
	1 1/4"	300	Polyolefin	Delrin	2.05256.53	2.05208.53	6 3/16	3 13/16	2 1/2
			Polyolefin	Ball	2.05256.55	2.05208.55	6 3/16	3 13/16	2 1/2
			Polyurethane HI-TECH	Delrin	2.05256.91	2.05208.91	6 3/16	3 13/16	2 1/2
			Polyurethane HI-TECH	Ball	2.05256.95	2.05208.95	6 3/16	3 13/16	2 1/2
		325	Cast Iron	Sleeve	2.05256.12	2.05208.12	6 3/16	3 13/16	3 3/4
			Perma Rubber (Flat tread)	Delrin	2.05256.441	2.05208.441	6 3/16	3 13/16	2 3/4
			Perma Rubber (Flat tread)	Ball	2.05256.445	2.05208.445	6 3/16	3 13/16	2 3/4
	325	Thermo	Plain	2.05256.52 HT	2.05208.52 HT	6 3/16	3 13/16	3 1/2	

2 SERIES