

1 colson[®] SERIES

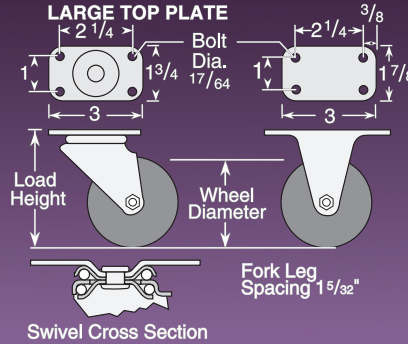
Capacity up to 75 lbs each

www.colsoncaster.com

Standard Features

- Zinc plated finish is attractive and durable
- Full double ball hardened raceways for better performance and greater durability
- 5/16" shouldered axle with 1/4" nut
- "Colson 45" multi-temp grease lubricates in extreme hot and cold temperatures

Top Plate Swivel & Rigid



Performance Options

Caster Brake

Side Lock (See page 12)
Available on all 3" swivel models. Field installable (Specify **BRK3**).

Fork Option

NSF Listed (See page 3)
All models except thread guards (Specify **FSI**).

Wheel Option

Thread Guards—Available on many models. Brake & NSF options cannot be used with thread guards (Specify **TG1** for metal **TG2** for plastic).



Standard Mounting:

Rigid caster available with 3" diameter wheel only.

Wheel Selection



PERFORMA
FLAT TREAD



POLYOLEFIN



POLYURETHANE
HI-TECH



CUSHION
RUBBER



HARD
RUBBER

1 SERIES • Large Top Plate Swivel & Rigid • Capacity up to 75 lbs

| Wheel Dia. | Tread Width | Capacity Each (Pounds) | Wheel Descriptions | Wheel Bearing | Swivel Caster Models | Rigid Caster Models | Load Height | Swivel Radius | Weight (Pounds) |
|------------|-------------|------------------------|----------------------|---------------|----------------------|---------------------|-------------|---------------|-----------------|
| 1 5/8" | 7/8" | 60 | Performa Rubber | Delrin | 1.01656.441 | — | 29/16 | 1 3/4 | 1/2 |
| | | 75 | Polyolefin | Delrin | 1.01656.52 | — | 29/16 | 1 3/4 | 1/2 |
| 2" | 7/8" | 75 | Performa Rubber | Delrin | 1.02256.441 | — | 2 3/4 | 1 15/16 | 1/2 |
| | | | Polyolefin | Delrin | 1.02256.52 | — | 2 3/4 | 1 15/16 | 1/2 |
| | | | Cushion Rubber | Ball | 1.02256.45 | — | 2 3/4 | 1 15/16 | 5/8 |
| | | | Hard Rubber | Ball | 1.02256.55 | — | 2 3/4 | 1 15/16 | 5/8 |
| 3" | 7/8" | 75 | Performa Rubber | Delrin | 1.03056.441 | 1.03010.441 | 3 7/8 | 29/16 | 3/4 |
| | | | Polyurethane HI-TECH | Delrin | 1.03056.91 | 1.03010.91 | 3 7/8 | 29/16 | 3/4 |
| | | | Polyolefin | Delrin | 1.03056.53 | 1.03010.53 | 3 7/8 | 29/16 | 3/4 |