

# 2 colson<sup>®</sup> SERIES

Capacity up to 325 lbs each

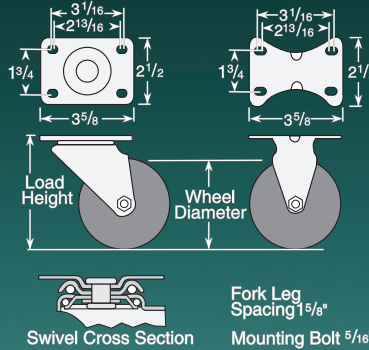
## STAINLESS STEEL

www.colsoncaster.com

### Standard Features

- Polished 304 grade stainless steel construction handles the most punishing, corrosive conditions
- Double ball raceways for better performance and greater durability
- All component parts, including spanner bushing, axle and nut are stainless steel
- Designed to perform in the most hostile environments
- If rust is a problem...Colson stainless steel is the solution

## Stainless Steel Top Plate Swivel & Rigid



### Performance Options

#### Caster Brakes

**Total Lock\***  
Locks wheel and swivel. Available on all swivel models. (Specify **BRK4**).

**Direction Lock\***  
Locks swivel only. Available on all swivel models. (See note under chart to order).

\*3" to 3<sup>1</sup>/<sub>2</sub>" diameter models swivel radius is 4<sup>1</sup>/<sub>8</sub>".

#### Fork Option

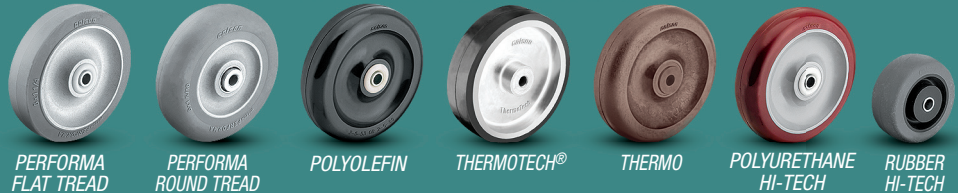
**NSF Listed** (See page 3) All models except thread guards and cast iron wheels. (Specify **FSI**).



### Wheel Selection



**NEW one-piece design Total Lock® Brake & Direction Lock Available!**



### 2 SERIES • Stainless Steel Top Plate Swivel & Rigid • Capacity up to 325 lbs

Wheel Dia.	Tread Width	Capacity Each (Pounds)	Wheel Descriptions	Wheel Bearing	Swivel Top Plate Caster Models	Rigid Top Plate Caster Models	Load Height	Swivel Radius	Weight (Pounds)
3"	1 <sup>1</sup> / <sub>4</sub> "	150	Rubber Hi-Tech	Plain	2.33446.42	2.33448.42	4 <sup>3</sup> / <sub>8</sub> "	3 <sup>1</sup> / <sub>8</sub> "	1 <sup>5</sup> / <sub>8</sub>
		200	Polyolefin	Delrin	2.33446.544	2.33448.544	4 <sup>3</sup> / <sub>8</sub> "	3 <sup>1</sup> / <sub>8</sub> "	1 <sup>5</sup> / <sub>8</sub>
			Polyurethane HI-TECH	Plain	2.33446.944	2.33448.944	4 <sup>3</sup> / <sub>8</sub> "	3 <sup>1</sup> / <sub>8</sub> "	1 <sup>5</sup> / <sub>8</sub>
3 <sup>1</sup> / <sub>2</sub> "	1 <sup>1</sup> / <sub>4</sub> "	250	Polyolefin	Delrin	2.03446.544	2.03448.544	4 <sup>15</sup> / <sub>16</sub> "	3 <sup>3</sup> / <sub>8</sub> "	1 <sup>5</sup> / <sub>8</sub>
			Polyurethane HI-TECH	Delrin	2.03446.944	2.03448.944	4 <sup>15</sup> / <sub>16</sub> "	3 <sup>3</sup> / <sub>8</sub> "	1 <sup>5</sup> / <sub>8</sub>
		Performa Rubber (Flat Tread)	Delrin	2.03446.444	2.03448.444	4 <sup>15</sup> / <sub>16</sub> "	3 <sup>3</sup> / <sub>8</sub> "	1 <sup>3</sup> / <sub>4</sub>	
		Thermo	Plain	2.03446.52HT	2.03448.52HT	4 <sup>15</sup> / <sub>16</sub> "	3 <sup>3</sup> / <sub>8</sub> "	1 <sup>5</sup> / <sub>8</sub>	
	1 <sup>5</sup> / <sub>16</sub> "	210	Performa Rubber (Round Grey Tread)	Delrin	2.03446.564	2.03448.564	4 <sup>15</sup> / <sub>16</sub> "	3 <sup>3</sup> / <sub>8</sub> "	1 <sup>3</sup> / <sub>4</sub>
4"	1 <sup>1</sup> / <sub>4</sub> "	250	ThermoTech®	Teflon	2.04446.613H	2.04448.613H	5 <sup>1</sup> / <sub>8</sub> "	3 <sup>5</sup> / <sub>16</sub> "	2
			Polyolefin	Delrin	2.04446.544	2.04448.544	5 <sup>1</sup> / <sub>8</sub> "	3 <sup>5</sup> / <sub>16</sub> "	2 <sup>1</sup> / <sub>4</sub>
		275	Polyurethane HI-TECH	Delrin	2.04446.944	2.04448.944	5 <sup>1</sup> / <sub>8</sub> "	3 <sup>5</sup> / <sub>16</sub> "	1 <sup>3</sup> / <sub>4</sub>
			Performa Rubber (Flat Tread)	Delrin	2.04446.444	2.04448.444	5 <sup>1</sup> / <sub>8</sub> "	3 <sup>5</sup> / <sub>16</sub> "	1 <sup>7</sup> / <sub>8</sub>
		300	Thermo	Plain	2.04446.52HT	2.04448.52HT	5 <sup>1</sup> / <sub>8</sub> "	3 <sup>5</sup> / <sub>16</sub> "	2
5"	1 <sup>1</sup> / <sub>4</sub> "	250	ThermoTech®	Teflon	2.05446.613H	2.05448.613H	6 <sup>3</sup> / <sub>16</sub> "	4 <sup>1</sup> / <sub>16</sub> "	2 <sup>1</sup> / <sub>8</sub>
			Polyolefin	Delrin	2.05446.544	2.05448.544	6 <sup>3</sup> / <sub>16</sub> "	4 <sup>1</sup> / <sub>16</sub> "	2 <sup>3</sup> / <sub>8</sub>
		300	Polyurethane HI-TECH	Delrin	2.05446.944	2.05448.944	6 <sup>3</sup> / <sub>16</sub> "	4 <sup>1</sup> / <sub>16</sub> "	2 <sup>1</sup> / <sub>8</sub>
			Performa Rubber (Flat Tread)	Delrin	2.05446.444	2.05448.444	6 <sup>3</sup> / <sub>16</sub> "	4 <sup>1</sup> / <sub>16</sub> "	2 <sup>1</sup> / <sub>8</sub>
	325	Thermo	Plain	2.05446.52HT	2.05448.52HT	6 <sup>3</sup> / <sub>16</sub> "	4 <sup>1</sup> / <sub>16</sub> "	2 <sup>3</sup> / <sub>8</sub>	
1 <sup>5</sup> / <sub>16</sub> "		250	Performa Rubber (Round Grey Tread)	Delrin	2.05446.564	2.05448.564	6 <sup>3</sup> / <sub>16</sub> "	4 <sup>1</sup> / <sub>16</sub> "	2 <sup>1</sup> / <sub>4</sub>

**Direction Lock:** For directional lock caster change fourth digit to "1" (Example: 2.05146.544).  
**Hollow King Pin:** For hollow king pin caster change sixth digit to "0" (Example: 2.05440.544).  
**Consult factory for 6" sizes.**