

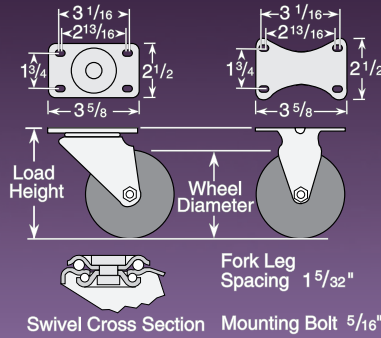
1 colson SERIES

Capacity up to 145 lbs each www.colsoncaster.com

Standard Features

- Zinc plated finish is attractive and durable
- Full double ball hardened raceways for better performance and greater durability
- 5/16" shouldered axle with 1/4" nut
- .090" steel top plate
- "Colson 45" multi-temp grease lubricates in extreme hot and cold temperatures

Top Plate Swivel & Rigid



Performance Options

Caster Brake

Side Lock (See page 12)
Available on all swivel models.
Field installable (Specify **BRK3**).

Fork Option

NSF Listed (See page 3)
All models except thread guards (Specify **FSI**).

Wheel Option

Thread Guards – Available on many models. Brake & NSF options cannot be used with thread guards (Specify **TG1** for metal **TG2** for plastic).



Wheel Selection



PERFORMA
FLAT TREAD



POLYOLEFIN



POLYURETHANE
HI-TECH

1 SERIES • Top Plate Swivel & Rigid • Capacity up to 145 lbs

Wheel Dia.	Tread Width	Capacity Each (Pounds)	Wheel Descriptions	Wheel Bearing	Swivel Caster Models	Rigid Caster Models	Load Height	Swivel Radius	Weight (Pounds)
3"	7/8"	100	Polyurethane HI-TECH	Delrin	1.03356.91	1.03008.91	3 3/4	2 13/16	1 1/4
		125	Performa Rubber	Delrin	1.03356.441	1.03008.441	3 3/4	2 13/16	1 1/4
			Polyolefin	Delrin	1.03356.53	1.03008.53	3 3/4	2 13/16	1 1/4
4"	7/8"	125	Polyurethane HI-TECH	Delrin	1.04356.91	1.04008.91	4 3/4	3 7/16	1 1/2
		135	Performa Rubber	Delrin	1.04356.441	1.04008.441	4 3/4	3 7/16	1 1/2
			Polyolefin	Delrin	1.04356.53	1.04008.53	4 3/4	3 7/16	1 1/2
5"	7/8"	140	Polyurethane HI-TECH	Delrin	1.05356.91	1.05008.91	5 3/4	4 1/16	1 3/4
		145	Performa Rubber	Delrin	1.05356.441	1.05008.441	5 3/4	4 1/16	1 3/4
			Polyolefin	Delrin	1.05356.53	1.05008.53	5 3/4	4 1/16	1 3/4

1 SERIES