

4 colson SERIES

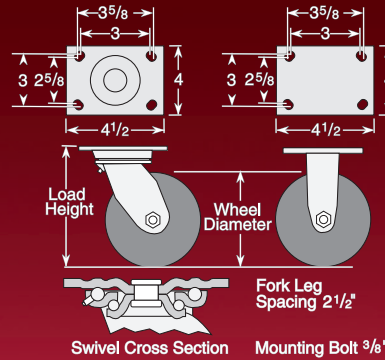
Capacity up to 1250 lbs each

www.colsoncaster.com

Standard Features

- Attractive zinc plated finish
- Full double ball hardened raceways
- 1/2" hollow axle with grease zerker and lock nut
- Plastic seal/retainer washer (roller bearing models)
- 1/4" steel top plate for durability
- Permanent rivet king pin with 5/8" diameter rivet
- Grease fittings: wheel bearing and swivel raceway
- "Colson 45" multi-temp grease lubricates in extreme hot and cold temperatures

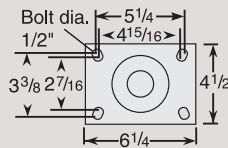
Top Plate Swivel & Rigid



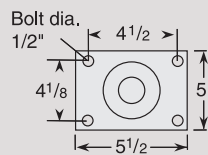
Performance Options

Optional Top Plates

#2 Top Plate (Specify MTG2).



#4 Top Plate (Specify MTG4).



All 4 Series swivel forks are notched to accommodate four position swivel locks.

Tech Lock® Brake Available!



Caster Brake

Tech Lock® (See page 14)
Available on all swivel casters except 3 1/4" diameter, V-Groove and Swivel Lock models. 6" Rigid model available! (Specify **BRK2**).

Tread Lock (See page 14)
Available on all swivel casters except 3 1/4" diameter and V-Groove models (Specify **BRK1**).

Side Lock (See page 13)
Available on swivel roller bearing and one piece Delrin models except 3 1/4" diameter (Specify **BRK3**).

Total Lock (See page 14)
Available on 4", 5", 6" & 8" swivel models except V-Groove (Specify **BRK4**).

Top Lock (See page 13)
Available on 4", 5", 6" & 8" swivel models except V-Groove (Specify **BRK7**).

Fork/Wheel Options

Foot Activated Swivel Lock (See page 15).

Hand Activated Swivel Lock (See page 15).

DirtBan Swivel Seal (See page 16)
Not available on swivel lock models (Specify **SEAL**).

NSF Listed (See page 3)
All models except swivel lock, thread guards, forged steel and cast iron core wheels (Specify **FSI**).



Thread Guards (See page 16) – Available on many models (Specify **TG1** for metal **TG2** for plastic).

Load Height Option – 6" dia. models with 7 1/4" load height. Only Side Lock brakes. (Specify **LH7.25**).

Axle/Nut Options:
AX2 Solid Axle
NT1 Thick lock nut

Lube Options:
No Grease
Double Grease
300° Continuous
500° Continuous

Fork	Wheel
GRF1	GRW1
GRF2	GRW2
GRF3	GRW3

Consult Factory

Wheel Selection



4 SERIES • Top Plate Swivel & Rigid • Capacity up to 1250 lbs

Wheel Dia.	Tread Width	Capacity Each (Pounds)	Wheel Descriptions	Swivel Top Plate Roller Bearing Caster Models	Rigid Top Plate Roller Bearing Caster Models	Optional Bearings (Order information below chart)	Load Height	Swivel Radius	Weight lbs (Rigid Deduct 1.5 lbs)
3 1/4"	2"	700	Phenolic	4.03109.339	4.03108.339	Delrin	5 1/4	3 3/16	4 3/4
			Maxim	4.03109.539	4.03108.539	Delrin, Bronze	5 1/4	3 3/16	4 3/4
4"	2"	300	Performa Rubber (Flat/Conductive)	4.04109.459 COND	4.04108.459 COND	Ball	5 5/8	3 9/16	5 3/4
			Performa Rubber (Flat/Black)	4.04109.459.2	4.04108.459.2	Delrin, Ball, Prec. Ball	5 5/8	3 9/16	5 3/4
		400	Performa Rubber (Flat/Grey)	4.04109.459	4.04108.459	Delrin, Ball, Prec. Ball	5 5/8	3 9/16	5 3/4
			Moldon Rubber (Cast iron core)	4.04109.649.7	4.04108.649.7	Delrin	5 5/8	3 9/16	7 1/4
			Trans-forma™ (Flat/Grey)	4.04109.4E9	4.04108.4E9	Delrin, Ball	5 5/8	3 9/16	5 3/4
			Polyolefin	4.04109.839	4.04108.839	Delrin, Plain	5 5/8	3 9/16	4 1/2
		600	Polyurethane HI-TECH	4.04109.929	4.04108.929	Delrin	5 5/8	3 9/16	4 3/4
			Moldon Polyurethane (Aluminum core)	4.04109.939	4.04108.939	Delrin	5 5/8	3 9/16	5 1/4
		700	Moldon Polyurethane (Cast iron core)	4.04109.949.7	4.04108.949.7	Delrin	5 5/8	3 9/16	7 1/4
			Maxim	4.04109.539	4.04108.539	Delrin, Bronze	5 5/8	3 9/16	4 1/8
		800	Phenolic	4.04109.339	4.04108.339	Delrin	5 5/8	3 9/16	5 3/4
			Thermo	4.04109.839 HT	4.04108.839 HT	Plain	5 5/8	3 9/16	6 3/4
			V-Groove	4.04109.739	4.04108.739	Delrin	5 5/8	3 9/16	8 1/8
			Endura Solid Elastomer	4.04109.839 EN	4.04108.839 EN	Delrin, Prec. Ball	5 5/8	3 9/16	5 3/4
		1000	Cast Iron	4.04109.139	4.04108.139	Delrin	5 5/8	3 9/16	7 7/8
			325	Performa Rubber (Flat/Conductive)	4.05109.459 COND	4.05108.459 COND	Ball	6 1/2	4 1/4
5"	2"	400	Moldon Rubber (Cast iron core)	4.05109.649.7	4.05108.649.7	Delrin	6 1/2	4 1/4	8 1/8
			Performa Rubber (Flat/Black)	4.05109.459.2	4.05108.459.2	Delrin, Ball, Prec. Ball	6 1/2	4 1/4	6 1/8
		500	Performa Rubber (Flat/Grey)	4.05109.459	4.05108.459	Delrin, Ball, Prec. Ball	6 1/2	4 1/4	6 1/8
			Trans-forma™ (Flat/Grey)	4.05109.4E9	4.05108.4E9	Delrin, Ball	6 1/2	4 1/4	6 1/8
		650	Polyolefin	4.05109.839	4.05108.839	Delrin, Plain	6 1/2	4 1/4	4 7/8
			Polyurethane HI-TECH	4.05109.929	4.05108.929	Delrin	6 1/2	4 1/4	4 3/4
		1000	Maxim	4.05109.539	4.05108.539	Delrin, Bronze	6 1/2	4 1/4	4 1/2
			Endura Solid Elastomer	4.05109.839 EN	4.05108.839 EN	Delrin, Prec. Ball	6 1/2	4 1/4	5 3/4
			Moldon Polyurethane (Aluminum core)	4.05109.939	4.05108.939	Delrin	6 1/2	4 1/4	6 1/8
			Moldon Polyurethane (Cast iron core)	4.05109.949.7	4.05108.949.7	Delrin	6 1/2	4 1/4	8 1/8
			Moldon Nylon	4.05109.939.3	4.05108.939.3	Delrin	6 1/2	4 1/4	9 1/4
			Phenolic	4.05109.339	4.05108.339	Delrin	6 1/2	4 1/4	5 3/4
			Thermo	4.05109.839 HT	4.05108.839 HT	Plain	6 1/2	4 1/4	6 3/4
			Cast Iron	4.05109.139	4.05108.139	Delrin	6 1/2	4 1/4	8 7/8
		1250	Forged Steel	4.05109.239	4.05108.239	Delrin	6 1/2	4 1/4	9 1/4
			410	Performa Rubber (Flat/Conductive)	4.06109.459 COND	4.06108.459 COND	Ball	7 1/2	5
Performa Rubber (Round/Conductive)	4.06109.559 COND	4.06108.559 COND		Ball	7 1/2	5	6 1/8		
6"	2"	450	Performa Rubber (Round/Grey)	4.06109.559	4.06108.559	Delrin, Ball	7 1/2	5	6 1/8
			Trans-forma™ (Round/Grey)	4.06109.5E9	4.06108.5E9	Delrin, Ball, Prec. Ball	7 1/2	5	6 1/8
		600	Moldon Rubber (Cast iron core)	4.06109.649.7	4.06108.649.7	Delrin	7 1/2	5	10 1/2
			Performa Rubber (Flat/Black)	4.06109.459.2	4.06108.459.2	Delrin, Ball, Prec. Ball	7 1/2	5	6 1/8
		700	Performa Rubber (Flat/Grey)	4.06109.459	4.06108.459	Delrin, Ball, Prec. Ball	7 1/2	5	6 1/8
			Trans-forma™ (Flat/Grey)	4.06109.4E9	4.06108.4E9	Delrin, Ball	7 1/2	5	6 1/8
		900	Polyolefin	4.06109.839	4.06108.839	Delrin, Plain	7 1/2	5	5 1/2
			Polyurethane HI-TECH	4.06109.929	4.06108.929	Delrin	7 1/2	5	5
		1100	Triumph (Round)*	4.06109.96TF	4.06108.96TF	Prec. Ball	7 1/2	5	7 1/2
			Endura Solid Elastomer	4.06109.839 EN	4.06108.839 EN	Delrin, Prec. Ball	7 1/2	5	7
		1200	Maxim	4.06109.539	4.06108.539	Delrin, Bronze	7 1/2	5	4 3/4
			Moldon Polyurethane (Aluminum core)	4.06109.939	4.06108.939	Delrin	7 1/2	5	7 1/2
			Moldon Polyurethane (Cast iron core)	4.06109.949.7	4.06108.949.7	Delrin	7 1/2	5	10 1/2
			Moldon Nylon	4.06109.939.3	4.06108.939.3	Delrin	7 1/2	5	9 1/4
			Phenolic	4.06109.339	4.06108.339	Delrin	7 1/2	5	7
			V-Groove	4.06109.739	4.06108.739	Delrin	7 1/2	5	10 1/2
Cast Iron	4.06109.139		4.06108.139	Delrin	7 1/2	5	9 3/4		
Forged Steel	4.06109.239		4.06108.239	Delrin	7 1/2	5	10 1/4		
8"	2"	500	Performa Rubber (Flat/Conductive)	4.08199.459 COND	4.08198.459 COND	Ball	9 1/2	6 1/2	6 1/4
			Performa Rubber (Round/Conductive)	4.08199.559 COND	4.08198.559 COND	Ball	9 1/2	6 1/2	6 1/4
		600	Moldon Rubber (Cast iron core)	4.08199.649.7	4.08198.649.7	Delrin	9 1/2	6 1/2	13 1/4
			Performa Rubber (Round/Grey)	4.08199.559	4.08198.559	Delrin, Ball, Prec. Ball	9 1/2	6 1/2	6 1/4
		675	Performa Rubber (Flat/Black)	4.08199.459.2	4.08198.459.2	Delrin, Ball, Prec. Ball	9 1/2	6 1/2	6 1/4
			Performa Rubber (Flat/Grey)	4.08199.459	4.08198.459	Delrin, Ball, Prec. Ball	9 1/2	6 1/2	6 1/4
		900	Polyolefin	4.08199.839	4.08198.839	Delrin, Plain	9 1/2	6 1/2	5 3/4
			Polyurethane HI-TECH	4.08199.929	4.08198.929	Delrin	9 1/2	6 1/2	5 3/4
		1200	Endura Solid Elastomer	4.08199.839 EN	4.08198.839 EN	Delrin, Prec. Ball	9 1/2	6 1/2	5 3/4
			Triumph (Round)*	4.08199.96TF	4.08198.96TF	Prec. Ball	9 1/2	6 1/2	5 3/4
		1250	Maxim	4.08199.539	4.08198.539	Delrin, Bronze	9 1/2	6 1/2	5 1/2
			Moldon Polyurethane (Aluminum core)	4.08199.939	4.08198.939	Delrin	9 1/2	6 1/2	8 1/4
			Moldon Polyurethane (Aluminum core)	4.08199.939	4.08198.939	Delrin	9 1/2	6 1/2	8 1/4
			Triumph (Crown)*	4.08199.93TF	4.08198.93TF	Prec. Ball	9 1/2	6 1/2	8 1/4
			Moldon Nylon	4.08199.939.3	4.08198.939.3	Delrin	9 1/2	6 1/2	9 1/4
			Phenolic	4.08199.339	4.08198.339	Delrin	9 1/2	6 1/2	8 1/2
Cast Iron	4.08199.139		4.08198.139	Delrin	9 1/2	6 1/2	12 1/2		

Roller Bearing Options: Torrington style roller bearing with retainer (Specify **WB19**). Metal cage roller bearing (Specify **WB29**).
Roller Bearing Washer Options: Metal thrust & retainer washers (Specify **WSR1**). Sintered iron step washers (Specify **WSR2**). Sealed metal retainer washer (Specify **WSR3**).
Delrin Bearing Options: For standard two-piece bearing change ninth digit to "1" (Example: 4.06109.921). One-piece with steel thrust washers (Specify **WB11**).
Ball Bearing Options: To order change 8th & 9th digit in model number to "65" (Example: 4.06109.465). **Note:** Performa 6" to 8" capacity decreases (See wheel section).
Precision Ball Bearings: To order change 8th and 9th digits to "35" (Example 4.06109.435). Performa round tread, change wheel code to "555".
Bronze Bearing Options: To order change 9th digit in model number to "4" (Example: 4.06109.534).
Plain Bearing Options: To order change 9th digit to "2" (Example: 4.06109.832).

*Triumph available in different tread types, colors and durometers (see wheel section). Precision ball only.

4 SERIES