

# 3 colson SERIES

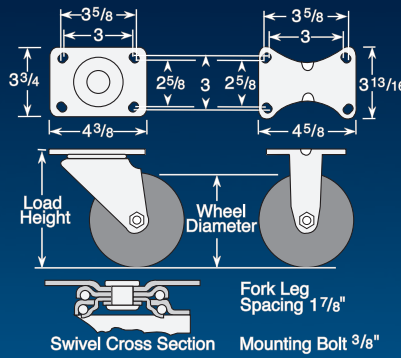
Capacity up to 400 lbs each

[www.colsoncaster.com](http://www.colsoncaster.com)

## Standard Features

- Zinc plated finish is attractive and durable
- Full double ball hardened raceways for better performance and greater durability
- 3/8" hollow axle with lock nut
- Permanent rivet king pin construction
- Reinforcing washer on lower raceway on swivel models
- .164 steel top plate
- Grease holes: wheel bearing
- "Colson 45" multi-temp grease lubricates in extreme hot and cold temperatures

## Top Plate Swivel & Rigid



## Performance Options

### Caster Brake

**Tread Lock** (See page 13) Available on all swivel models. Field installable (Specify **BRK1**).

### Fork/Wheel Options

**Dust Cap** (See page 16) – Specify **DC1**.

**NSF Listed** (See page 3) – All models except thread guards and cast iron wheels (Specify **FSI**).

**Thread Guards** (See page 16) – Available on many models. (Specify **TG1** for metal **TG2** for plastic).

**Lube Options:**

|                 |                        |             |
|-----------------|------------------------|-------------|
| No Grease       | <b>GRF1</b>            | <b>GRW1</b> |
| Double Grease   | <b>GRF2</b>            | <b>GRW2</b> |
| 300° Continuous | <b>GRF3</b>            | <b>GRW3</b> |
| 500° Continuous | <b>Consult Factory</b> |             |

**Axle/Nut Options:**

|                       |                           |
|-----------------------|---------------------------|
| <b>AX1</b> Zerk Axle  | <b>NT1</b> Thick lock nut |
| <b>AX2</b> Solid Axle | <b>NT2</b> Thin lock nut  |



## Wheel Selection



PERFORMA  
FLAT TREAD



PERFORMA CONDUCTIVE/  
DISSIPATIVE



POLYOLEFIN



POLYURETHANE  
HI-TECH



PHENOLIC



CAST IRON



MAXIM

### 3 SERIES • Top Plate Swivel & Rigid • Capacity up to 400 lbs

| Wheel Dia. | Tread Width | Capacity Each (Pounds) | Wheel Descriptions                | Wheel Bearing | Swivel Top Plate Caster Models | Rigid Top Plate Caster Models | Load Height | Swivel Radius | Weight (Pounds) |
|------------|-------------|------------------------|-----------------------------------|---------------|--------------------------------|-------------------------------|-------------|---------------|-----------------|
| 3"         | 1 1/2"      | 250                    | Performa Rubber (Flat/Grey)       | Delrin        | 3.00317.441                    | 3.00308.441                   | 4 1/2       | 3 1/8         | 3               |
|            |             |                        | Performa Rubber (Flat/Grey)       | Roller        | 3.00317.449                    | 3.00308.449                   | 4 1/2       | 3 1/8         | 3               |
|            |             | 300                    | Polyolefin                        | Delrin        | 3.00317.801                    | 3.00308.801                   | 4 1/2       | 3 1/8         | 2 3/4           |
|            |             |                        | Polyolefin                        | Roller        | 3.00317.809                    | 3.00308.809                   | 4 1/2       | 3 1/8         | 2 3/4           |
|            |             |                        | Polyurethane HI-TECH              | Delrin        | 3.00317.901                    | 3.00308.901                   | 4 1/2       | 3 1/8         | 3               |
|            |             |                        | Polyurethane HI-TECH              | Roller        | 3.00317.909                    | 3.00308.909                   | 4 1/2       | 3 1/8         | 3               |
|            |             | 400                    | Phenolic                          | Delrin        | 3.00317.301                    | 3.00308.301                   | 4 1/2       | 3 1/8         | 2 3/4           |
|            |             |                        | Phenolic                          | Ball          | 3.00317.305                    | 3.00308.305                   | 4 1/2       | 3 1/8         | 2 3/4           |
|            |             |                        | Phenolic                          | Roller        | 3.00317.309                    | 3.00308.309                   | 4 1/2       | 3 1/8         | 2 3/4           |
|            |             |                        | Cast Iron                         | Delrin        | 3.00317.101                    | 3.00308.101                   | 4 1/2       | 3 1/8         | 4 1/4           |
|            |             |                        | Cast Iron                         | Roller        | 3.00317.109                    | 3.00308.109                   | 4 1/2       | 3 1/8         | 4 1/4           |
|            |             |                        |                                   |               |                                |                               |             |               |                 |
| 4"         | 1 1/2"      | 255                    | Performa Rubber (Conductive Flat) | Roller        | 3.00417.449 COND               | 3.00408.449 COND              | 5 3/8       | 3 5/8         | 3 1/2           |
|            |             |                        | Performa Rubber (Flat/Grey)       | Delrin        | 3.00417.441                    | 3.00408.441                   | 5 3/8       | 3 5/8         | 3 1/2           |
|            |             | 325                    | Performa Rubber (Flat/Grey)       | Roller        | 3.00417.449                    | 3.00408.449                   | 5 3/8       | 3 5/8         | 3 1/2           |
|            |             |                        |                                   |               |                                |                               |             |               |                 |
|            |             | 375                    | Polyolefin                        | Delrin        | 3.00417.801                    | 3.00408.801                   | 5 3/8       | 3 5/8         | 3               |
|            |             |                        | Polyolefin                        | Roller        | 3.00417.809                    | 3.00408.809                   | 5 3/8       | 3 5/8         | 3               |
|            |             | 400                    | Maxim                             | Delrin        | 3.00417.501                    | 3.00408.501                   | 5 3/8       | 3 5/8         | 3 1/4           |
|            |             |                        | Maxim                             | Bronze        | 3.00417.504                    | 3.00408.504                   | 5 3/8       | 3 5/8         | 3 1/4           |
|            |             |                        | Maxim                             | Roller        | 3.00417.509                    | 3.00408.501                   | 5 3/8       | 3 5/8         | 3 1/4           |
|            |             |                        | Polyurethane HI-TECH              | Delrin        | 3.00417.901                    | 3.00408.901                   | 5 3/8       | 3 5/8         | 3 1/4           |
|            |             |                        | Polyurethane HI-TECH              | Roller        | 3.00417.909                    | 3.00408.909                   | 5 3/8       | 3 5/8         | 3 1/4           |
|            |             |                        | Phenolic                          | Delrin        | 3.00417.301                    | 3.00408.301                   | 5 3/8       | 3 5/8         | 3 1/2           |
|            |             |                        | Phenolic                          | Ball          | 3.00417.305                    | 3.00408.305                   | 5 3/8       | 3 5/8         | 3 1/2           |
|            |             |                        | Phenolic                          | Roller        | 3.00417.309                    | 3.00408.309                   | 5 3/8       | 3 5/8         | 3 1/4           |
|            |             | Cast Iron              | Delrin                            | 3.00417.101   | 3.00408.101                    | 5 3/8                         | 3 5/8       | 4 1/2         |                 |
|            |             | Cast Iron              | Roller                            | 3.00417.109   | 3.00408.109                    | 5 3/8                         | 3 5/8       | 4 1/2         |                 |
| 5"         | 1 1/2"      | 280                    | Performa Rubber (Conductive Flat) | Roller        | 3.00517.449 COND               | 3.00508.449 COND              | 6 3/8       | 4 1/8         | 3 1/2           |
|            |             |                        | Performa Rubber (Flat/Grey)       | Delrin        | 3.00517.441                    | 3.00508.441                   | 6 3/8       | 4 1/8         | 3 1/2           |
|            |             | 350                    | Performa Rubber (Flat/Grey)       | Roller        | 3.00517.449                    | 3.00508.449                   | 6 3/8       | 4 1/8         | 3 1/2           |
|            |             |                        |                                   |               |                                |                               |             |               |                 |
|            |             | 400                    | Polyolefin                        | Delrin        | 3.00517.801                    | 3.00508.801                   | 6 3/8       | 4 1/8         | 2 3/4           |
|            |             |                        | Polyolefin                        | Roller        | 3.00517.809                    | 3.00508.809                   | 6 3/8       | 4 1/8         | 2 3/4           |
|            |             |                        | Polyurethane HI-TECH              | Delrin        | 3.00517.901                    | 3.00508.901                   | 6 3/8       | 4 1/8         | 3 1/2           |
|            |             |                        | Polyurethane HI-TECH              | Roller        | 3.00517.909                    | 3.00508.909                   | 6 3/8       | 4 1/8         | 3 1/2           |
|            |             |                        | Phenolic                          | Delrin        | 3.00517.301                    | 3.00508.301                   | 6 3/8       | 4 1/8         | 3               |
|            |             |                        | Phenolic                          | Ball          | 3.00517.305                    | 3.00508.305                   | 6 3/8       | 4 1/8         | 3               |
|            |             |                        | Phenolic                          | Roller        | 3.00517.309                    | 3.00508.309                   | 6 3/8       | 4 1/8         | 3 1/4           |
|            |             |                        | Cast Iron                         | Delrin        | 3.00517.101                    | 3.00508.101                   | 6 3/8       | 4 1/8         | 5               |
| Cast Iron  | Roller      | 3.00517.109            | 3.00508.109                       | 6 3/8         | 4 1/8                          | 5                             |             |               |                 |
| 6"         | 1 1/2"      | 300                    | Performa Rubber (Conductive Flat) | Roller        | 3.00617.449 COND               | 3.00608.449 COND              | 7 3/8       | 4 5/8         | 3 3/4           |
|            |             |                        | Performa Rubber (Flat/Grey)       | Delrin        | 3.00617.441                    | 3.00608.441                   | 7 3/8       | 4 5/8         | 3 3/4           |
|            |             | 375                    | Performa Rubber (Flat/Grey)       | Roller        | 3.00617.449                    | 3.00608.449                   | 7 3/8       | 4 5/8         | 3 3/4           |
|            |             |                        |                                   |               |                                |                               |             |               |                 |
|            |             | 400                    | Polyolefin                        | Delrin        | 3.00617.801                    | 3.00608.801                   | 7 3/8       | 4 5/8         | 3               |
|            |             |                        | Polyolefin                        | Roller        | 3.00617.809                    | 3.00608.809                   | 7 3/8       | 4 5/8         | 3               |
|            |             |                        | Polyurethane HI-TECH              | Delrin        | 3.00617.901                    | 3.00608.901                   | 7 3/8       | 4 5/8         | 3 3/4           |
|            |             |                        | Polyurethane HI-TECH              | Roller        | 3.00617.909                    | 3.00608.909                   | 7 3/8       | 4 5/8         | 3 3/4           |
|            |             |                        | Phenolic                          | Delrin        | 3.00617.301                    | 3.00608.301                   | 7 3/8       | 4 5/8         | 3 1/2           |
|            |             |                        | Phenolic                          | Ball          | 3.00617.305                    | 3.00608.305                   | 7 3/8       | 4 5/8         | 3 1/2           |
|            |             |                        | Phenolic                          | Roller        | 3.00617.309                    | 3.00608.309                   | 7 3/8       | 4 5/8         | 3 3/4           |
|            |             |                        | Cast Iron                         | Delrin        | 3.00617.101                    | 3.00608.101                   | 7 3/8       | 4 5/8         | 6               |
| Cast Iron  | Roller      | 3.00617.109            | 3.00608.109                       | 7 3/8         | 4 5/8                          | 6                             |             |               |                 |

Roller Bearing Options: Metal cage roller bearing (Specify WB29).

3 SERIES