

4 colson SERIES

Capacity up to 1250 lbs each

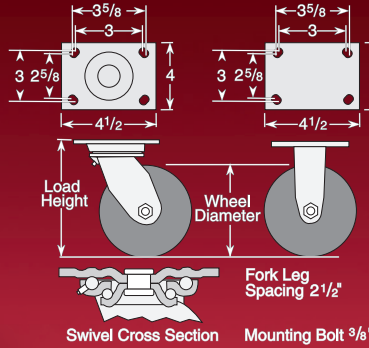
STAINLESS
STEEL

www.colsoncaster.com

Standard Features

- Polished stainless steel (Grade 304)
- 1/2" stainless steel hollow axle with grease zerck, nut and lock washer
- 1/4" steel top plate for durability
- Permanent rivet king pin with 5/8" diameter rivet
- Grease fittings: wheel bearing and swivel raceway
- "Colson 45" multi-temp grease lubricates in extreme hot and cold temperatures
- NSF Listed

Stainless Steel Top Plate Swivel & Rigid



All 4 Series swivel forks are notched to accommodate four position swivel locks.

Performance Options

Caster Brake

Tech Lock® (See page 14). Available on all swivel and 6" rigid casters (Specify **BRK2**).

Side Lock New stainless steel design available on all swivel casters with Delrin bearing. Field installable (Specify **BRK3** with one-piece Delrin bearing).

Fork/Wheel Options

New Foot Activated Swivel Lock (See page 15).

DirtBan Swivel Seal (See page 16).

Thread Guards (See page 16) – Available on many models (Specify **TG2** for plastic).

Wheel Selection



PERFORMA
FLAT/GREY



PERFORMA
FLAT/BLACK



PERFORMA
ROUND/GREY



TRANS-FORMA™



POLYOLEFIN



MAXIM



ENDURA



POLYURETHANE
HI-TECH



THERMO



PERFORMA
CONDUCTIVE FLAT



PERFORMA
CONDUCTIVE ROUND



PHENOLIC

4 SERIES • Stainless Steel Top Plate Swivel & Rigid • Capacity up to 1250 lbs

Wheel Dia.	Tread Width	Capacity Each (Pounds)	Wheel Descriptions	Swivel Top Plate SS Roller Bearing Caster Models	Rigid Top Plate SS Roller Bearing Caster Models	Wheel Bearing	Load Height	Swivel Radius	Weight (Pounds)
4"	2"	300	Perma Rubber (Flat/Conductive)	4.04109.459 COND SS	4.04108.459 COND SS	–	5 ⁵ / ₈	3 ⁹ / ₁₆	5 ³ / ₄
		400	Perma Rubber (Flat Black)	4.04109.459.2 SS	4.04108.459.2 SS	Delrin, Bronze	5 ⁵ / ₈	3 ⁹ / ₁₆	5 ³ / ₄
			Perma Rubber (Flat Grey)	4.04109.459 SS	4.04108.459 SS	Delrin, Bronze	5 ⁵ / ₈	3 ⁹ / ₁₆	5 ³ / ₄
			Trans-forma™ (Flat Grey)	4.04109.4E9 SS	4.04108.4E9 SS	Delrin, Bronze	5 ⁵ / ₈	3 ⁹ / ₁₆	5 ³ / ₄
			Polyolefin	4.04109.839 SS	4.04108.839 SS	Delrin, Bronze, Plain	5 ⁵ / ₈	3 ⁹ / ₁₆	4 ¹ / ₂
		600	Polyurethane HI-TECH	4.04109.929 SS	4.04108.929 SS	Delrin, Bronze	5 ⁵ / ₈	3 ⁹ / ₁₆	4 ³ / ₄
		800	Maxim	4.04109.539 SS	4.04108.539 SS	Delrin, Bronze	5 ⁵ / ₈	3 ⁹ / ₁₆	5 ³ / ₄
			Phenolic	4.04109.339 SS	4.04108.339 SS	Delrin, Bronze	5 ⁵ / ₈	3 ⁹ / ₁₆	5 ³ / ₄
			Thermo	4.04109.839 HT SS	4.04108.839 HT SS	Plain, Bronze	5 ⁵ / ₈	3 ⁹ / ₁₆	5 ³ / ₄
		1000	Endura Solid Elastomer	4.04109.839 EN SS	4.04108.839 EN SS	Delrin, Bronze	5 ⁵ / ₈	3 ⁹ / ₁₆	5 ³ / ₄
5"	2"	325	Perma Rubber (Flat/Conductive)	4.05109.459 COND SS	4.05108.459 COND SS	–	6 ¹ / ₂	4 ¹ / ₄	6 ¹ / ₈
		500	Perma Rubber (Flat Black)	4.05109.459.2 SS	4.05108.459.2 SS	Delrin, Bronze	6 ¹ / ₂	4 ¹ / ₄	6 ¹ / ₈
			Perma Rubber (Flat Grey)	4.05109.459 SS	4.05108.459 SS	Delrin, Bronze	6 ¹ / ₂	4 ¹ / ₄	6 ¹ / ₈
			Trans-forma™ (Flat Grey)	4.05109.4E9 SS	4.05108.4E9 SS	Delrin, Bronze	6 ¹ / ₂	4 ¹ / ₄	6 ¹ / ₈
			Polyolefin	4.05109.839 SS	4.05108.839 SS	Delrin, Bronze, Plain	6 ¹ / ₂	4 ¹ / ₄	4 ⁷ / ₈
		750	Polyurethane HI-TECH	4.05109.929 SS	4.05108.929 SS	Delrin, Bronze	6 ¹ / ₂	4 ¹ / ₄	4 ⁷ / ₈
		1000	Maxim	4.05109.539 SS	4.05108.539 SS	Delrin, Bronze	6 ¹ / ₂	4 ¹ / ₄	5 ⁷ / ₈
			Thermo	4.05109.339 SS	4.05108.339 SS	Delrin, Bronze	6 ¹ / ₂	4 ¹ / ₄	5 ⁷ / ₈
			Phenolic	4.05109.839 HT SS	4.05108.839 HT SS	Plain, Bronze	6 ¹ / ₂	4 ¹ / ₄	5 ⁷ / ₈
			Endura Solid Elastomer	4.05109.839 EN SS	4.05108.839 EN SS	Delrin, Bronze	6 ¹ / ₂	4 ¹ / ₄	5 ⁷ / ₈
6"	2"	410	Perma Rubber (Flat/Conductive)	4.06109.459.2 COND SS	4.06108.459.2 COND SS	–	7 ¹ / ₂	5	6 ¹ / ₈
		450	Perma Rubber (Round Grey)	4.06109.559 SS	4.06108.559 SS	Delrin, Bronze	7 ¹ / ₂	5	7 ¹ / ₈
			Trans-forma™ (Round Grey)	4.06109.4E9 SS	4.06108.4E9 SS	Delrin, Bronze	7 ¹ / ₂	5	7 ¹ / ₈
		600	Perma Rubber (Flat Black)	4.06109.459.2 SS	4.06108.459.2 SS	Delrin, Bronze	7 ¹ / ₂	5	7 ¹ / ₈
			Perma Rubber (Flat Grey)	4.06109.459 SS	4.06108.459 SS	Delrin, Bronze	7 ¹ / ₂	5	7 ¹ / ₈
			Trans-forma™ (Flat Grey)	4.06109.5E9 SS	4.06108.5E9 SS	Delrin, Bronze	7 ¹ / ₂	5	7 ¹ / ₈
		700	Polyolefin	4.06109.839 SS	4.06108.839 SS	Delrin, Bronze, Plain	7 ¹ / ₂	5	5 ¹ / ₂
		900	Polyurethane HI-TECH	4.06109.929 SS	4.06108.929 SS	Delrin, Bronze	7 ¹ / ₂	5	5
		1100	Endura Solid Elastomer	4.06109.839 EN SS	4.06108.839 EN SS	Delrin, Bronze	7 ¹ / ₂	5	6
			Thermo	4.06109.839 HT SS	4.06108.839 HT SS	Plain, Bronze	7 ¹ / ₂	5	6
1200	Maxim	4.06109.539 SS	4.06108.539 SS	Delrin, Bronze	7 ¹ / ₂	5	6		
	Phenolic	4.06109.339 SS	4.06108.339 SS	Delrin, Bronze	7 ¹ / ₂	5	6		
8"	2"	500	Perma Rubber (Flat/Conductive)	4.08199.459 COND SS	4.08198.459 COND SS	–	9 ¹ / ₂	6 ¹ / ₂	6 ¹ / ₄
		600	Perma Rubber (Round Grey)	4.08199.559 SS	4.08198.559 SS	Delrin, Bronze	9 ¹ / ₂	6 ¹ / ₂	8 ¹ / ₈
		675	Perma Rubber (Flat Black)	4.08199.459.2 SS	4.08198.459.2 SS	Delrin, Bronze	9 ¹ / ₂	6 ¹ / ₂	8 ¹ / ₈
			Perma Rubber (Flat Grey)	4.08199.459 SS	4.08198.459 SS	Delrin, Bronze	9 ¹ / ₂	6 ¹ / ₂	8 ¹ / ₈
		900	Polyolefin	4.08199.839 SS	4.08198.839 SS	Delrin, Bronze, Plain	9 ¹ / ₂	6 ¹ / ₂	5 ³ / ₄
		1000	Polyurethane HI-TECH	4.08199.929 SS	4.08198.929 SS	Delrin, Bronze	9 ¹ / ₂	6 ¹ / ₂	5 ³ / ₄
		1200	Endura Solid Elastomer	4.08199.839 EN SS	4.08198.839 EN SS	Delrin, Bronze	9 ¹ / ₂	6 ¹ / ₂	6 ³ / ₄
		1250	Maxim	4.08199.539 SS	4.08198.539 SS	Delrin, Bronze	9 ¹ / ₂	6 ¹ / ₂	6 ³ / ₄
Phenolic	4.08199.339 SS		4.08198.339 SS	Delrin, Bronze	9 ¹ / ₂	6 ¹ / ₂	6 ³ / ₄		

Delrin Bearing Options: For standard two-piece bearing change ninth digit to "1" (Example: 4.06109.921SS).

One piece with stainless steel thrust washer, specify WB11.

Bronze Bearing Options: To order, change the 9th digit in model number to "4" (Example: 4.06109.534)

Plain Bearing Option: To order, change the 9th digit in model number to "2" (Example: 4.06109.832)

4 SERIES